

## PRODUCT INFORMATION

eaZiflex VITROX 100

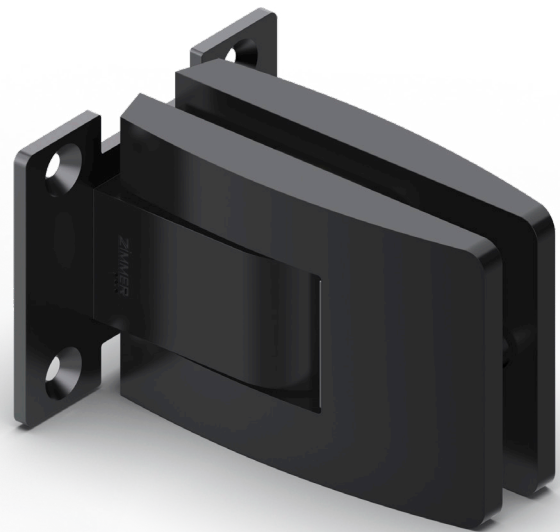
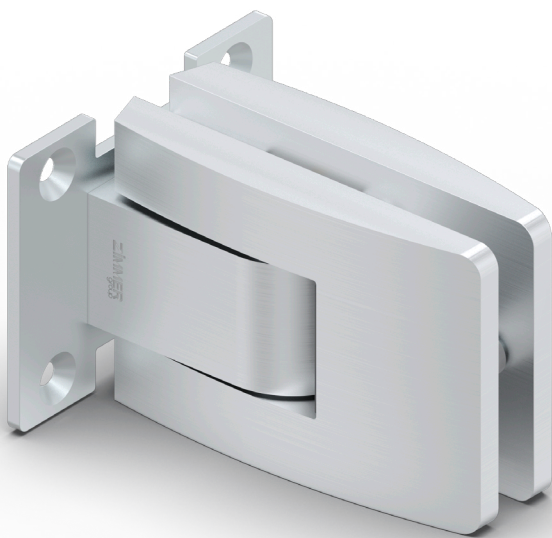
### GENERAL DATA:

**Type of product:** SOFT CLOSE swing door hinge

**Origin:** Rheinau, Baden-Württemberg, Germany

**Lifetime:** 500.000 cycles

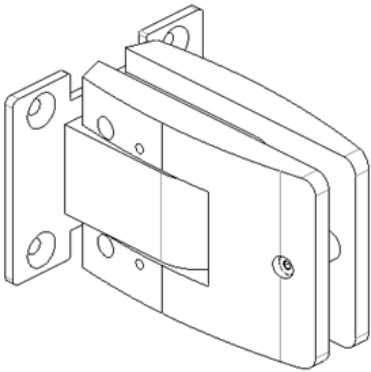
**Installation option:** Glass door > glas-to-wall-connection



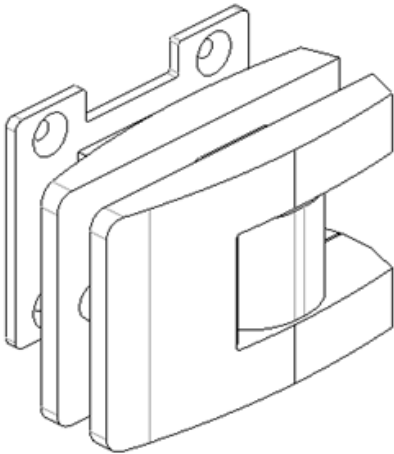
The new innovative SOFT CLOSE swing door hinge is installed as a connecting piece between a wall and a glass door.

## FUNCTION

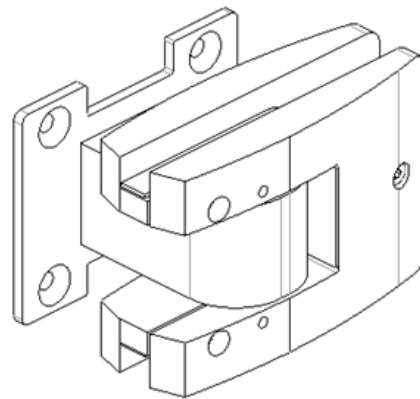
Hinge at 0° (door closed)



Hinge at +90° (door open)

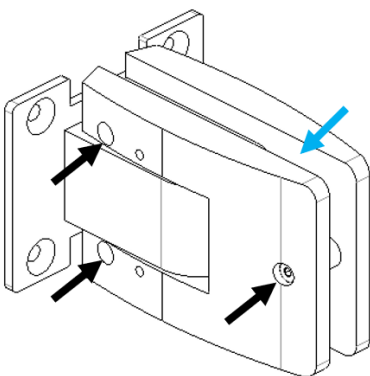


Hinge at -90° (door open)



## GLASS CONNECTION

The glass is inserted into the space inside the hinge (blue arrow) and then clamped with screws (black arrows):

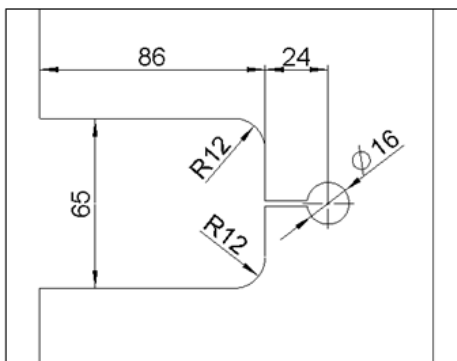


This is how the glass door is connected to the hinge.

## TECHNICAL DATA

Length [mm]:	127
Width [mm]:	46
Height [mm]	82
Load capacity per hinge [kg]:	35
Lifetime [cycles]:	500.000
Operating conditions [°C]:	10 to 40
Storage conditions [°C]:	-20 to 80

## GLASS PREPARATION



## CHARATERISTICS

- ▶ Opens 90° on both sides
- ▶ Locking when the door is open
- ▶ Automatic closing from an opening angle of 70°
- ▶ Automatic closing and centering to 0°
- ▶ Zero-position with spring preload
- ▶ Adjustable zero-position (zero position means the position of the closed door. It can compensate tolerances)
- ▶ Glass thickness: 8 mm | 10 mm | 10,76 - 11,52 mm | 12 mm | 12,76 - 13,52 mm
- ▶ Opening of the door beyond 90° must be limited with a stopper

## TEST PROCEDURE

The hinge is tested on the basis of:

- ▶ DIN EN 1154:2003
- ▶ DIN EN 1670:2007

# TECHNICAL DRAWING

