

Product information

Silento Stretto

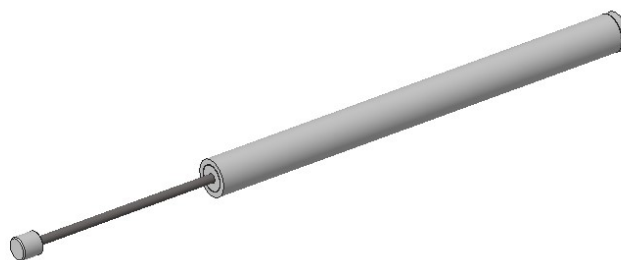
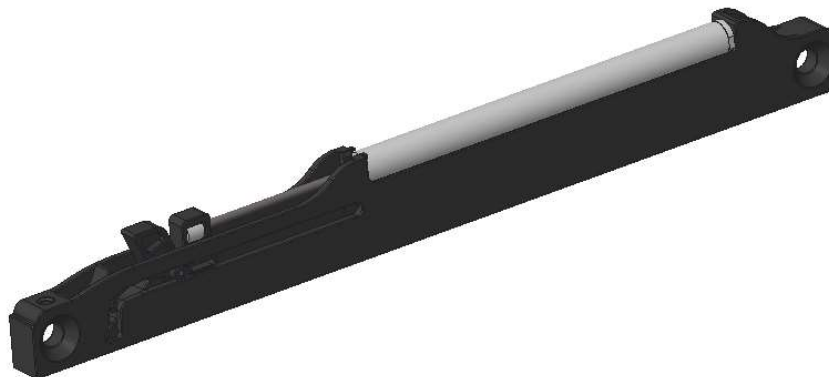
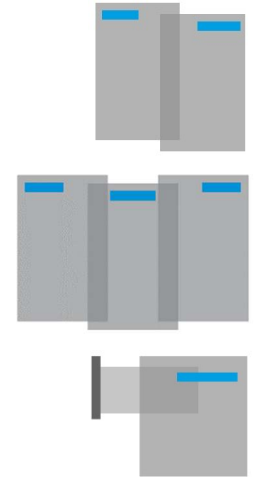
THE
KNOW-
HOW
FACTORY

ZIMMER GROUP

Am Glockenloch 2
77866 Rheinau
T +49 7844 9110-0
info@daempfungssysteme.de
www.zimmer-softclose.shop
www.zimmer-group.com

General data:

Type of product:	Self-closing unit with fluid damper
Origin:	Rheinau, Baden-Württemberg, Germany
Lifetime:	50.000 cycles
Installation option:	Sliding door Drawer



Triple S:

Small

Slim

Strong

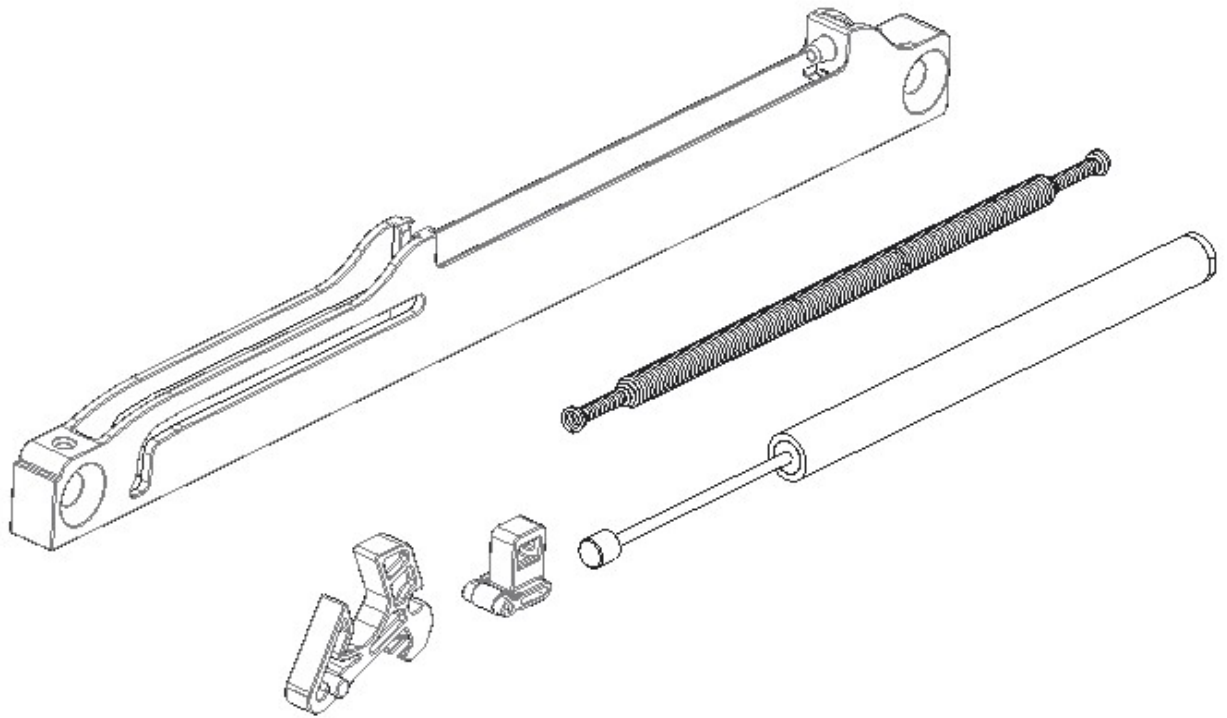
A new era begins.

Perfect for applications without much space and yet high demands.

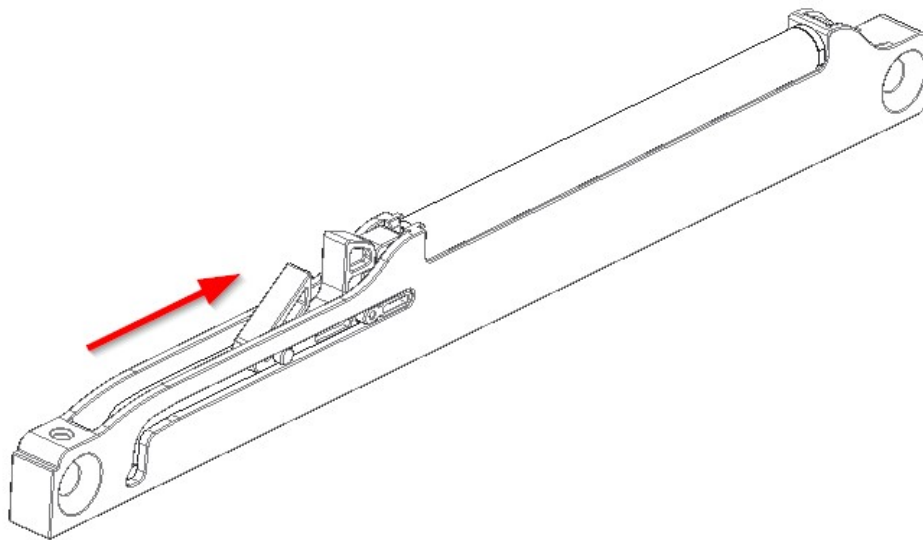
Index

1. Content	3
2. Function	3
3. Technical data	4
4. Characteristics	4
5. Integration	5
6. Overlap of the locking hook	8
7. Accessories	8
8. Connection	9
9. Technical drawing	10
10. Test procedure	12
11. Materials	12
12. Article number	13
13. assembly instructions for retrofit	15

1. Content



2. Function



3. Technical data

Housing length [mm]:	170
Housing width [mm]:	7 (!)
Housing height (total height) [mm]:	18,7 (21,3)
Distance fixing points [mm]:	160
Ø of fixing holes [mm]:	4,4
Stroke [mm]:	30
Weight to be braked [kg]:	20
Lifetime [cycles]:	50.000
Release:	yes
Operating conditions [°C]	10 to 40
Storage conditions [°C]	-20 to 80

4. Characteristics

Closed unit	
Effective direction outside closing	
Effective direction inside closing	<input checked="" type="checkbox"/>
Fluid damper	<input checked="" type="checkbox"/>
Air-friction damper	
Damping effect one-way	<input checked="" type="checkbox"/>
Damping effect both-sided	
Different locking hooks possible	<input checked="" type="checkbox"/>
Emergency function	<input checked="" type="checkbox"/>

5. Integration

Main application:

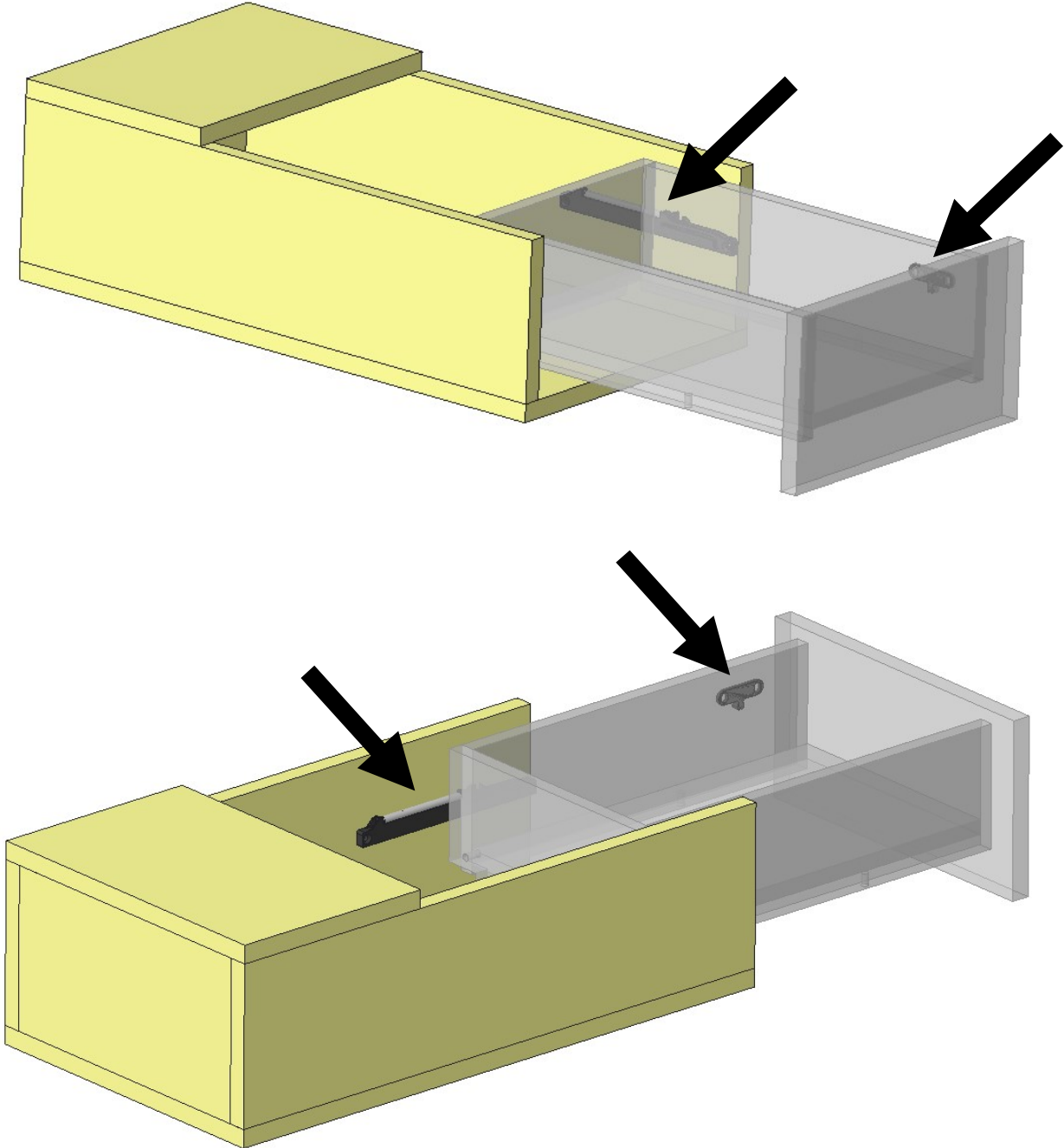
Sliding door	<input checked="" type="checkbox"/>
Drawer	<input checked="" type="checkbox"/>
Hinge	
Flap	

Self-closing unit:

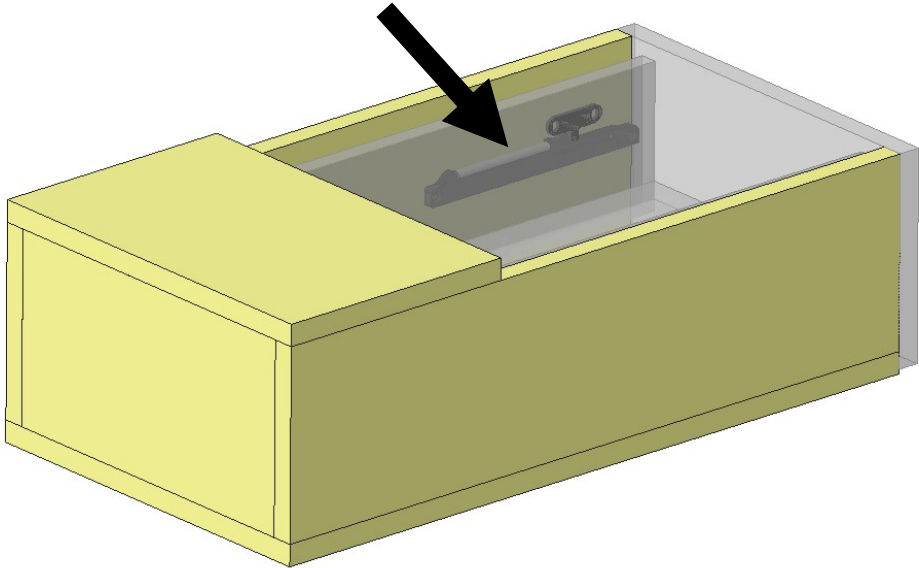
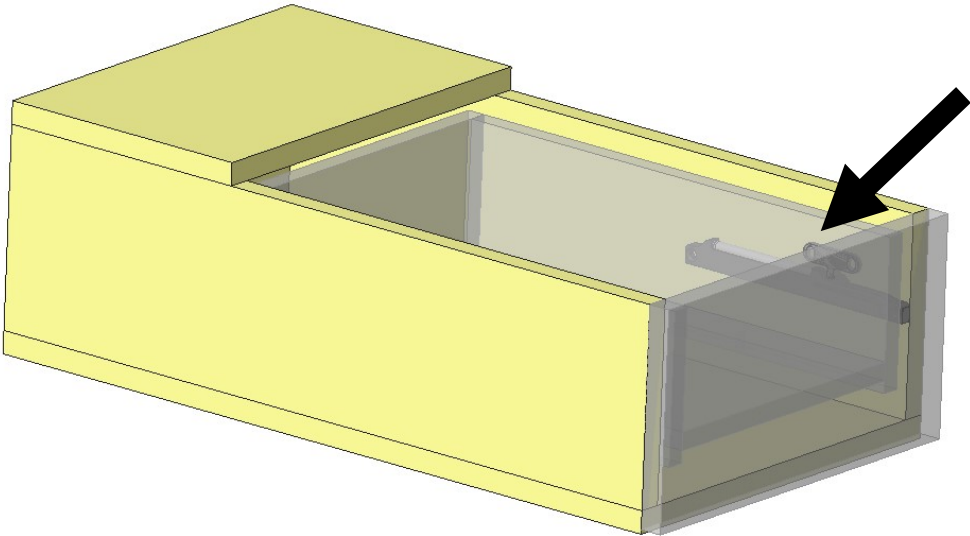
Multiple orientation of the fixing possible	
Fixing hole with lowering	<input checked="" type="checkbox"/>
Connection to running gear provided	<input checked="" type="checkbox"/>
Mounting on running rail possible	<input checked="" type="checkbox"/>
Retrofit	<input checked="" type="checkbox"/>
Threaded nut possible for the fixation	

Possible exemplary integration: **Drawer**

Drawer open:



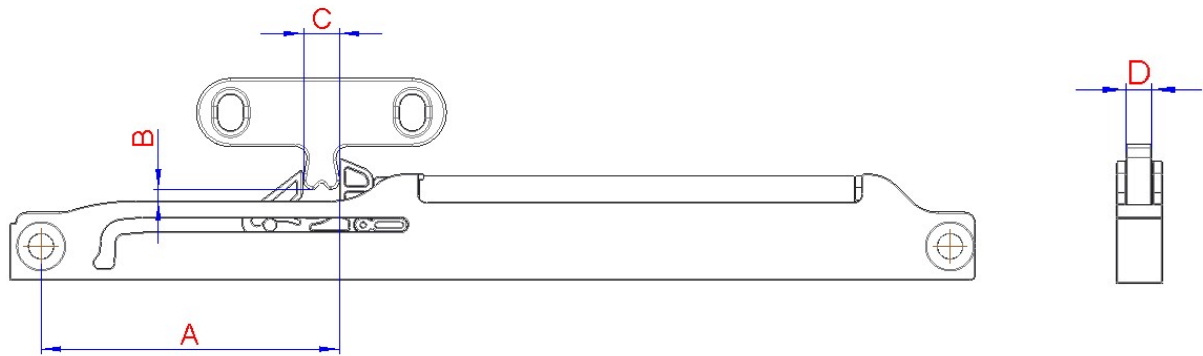
Drawer closed:



Do not use as end stop.
Additional customer-side end stop necessary.

6. Overlap of the locking hook

	Nominal dimensions [Figures in mm]	Tolerance range [Figures in mm]
A	52,5	-1,00
B	2,00	±0,50
C	6,3	-0,20
D	4,0	±0,10



Note:



When using your own activator, make sure that the dimensions A/B/C are kept. The contour of the activator needs to be determined according to the arrangement with the company ZIMMER. Activator should have as little space as possible in the locking hook.

7. Accessories

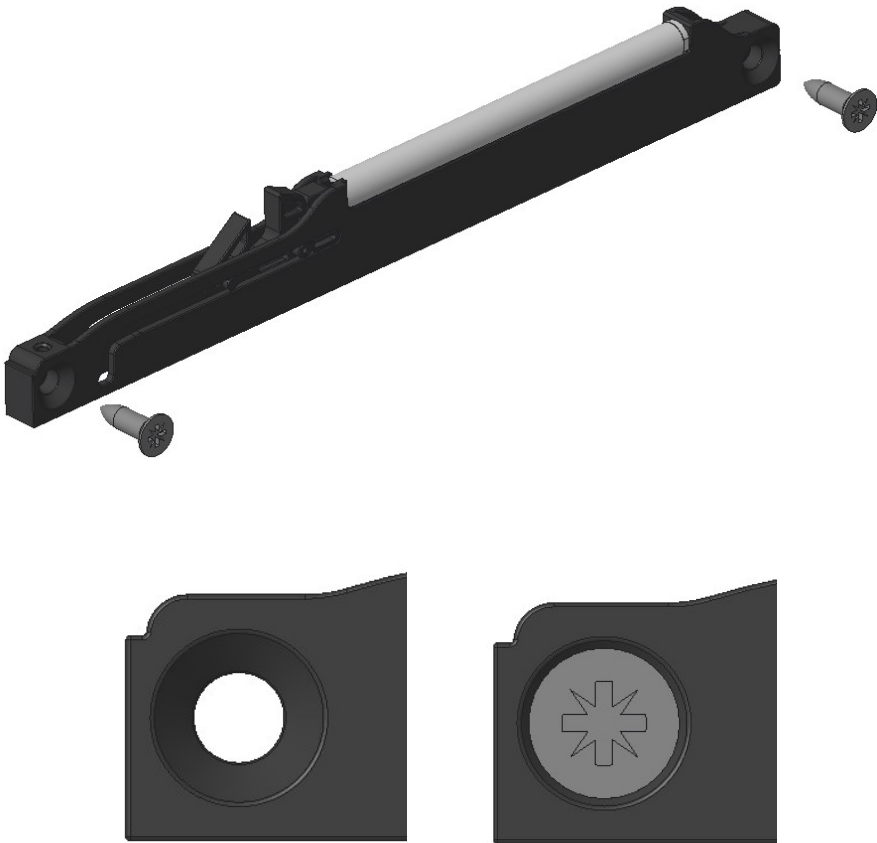



Locking hook

	<p>Standard locking hook</p>
---	------------------------------

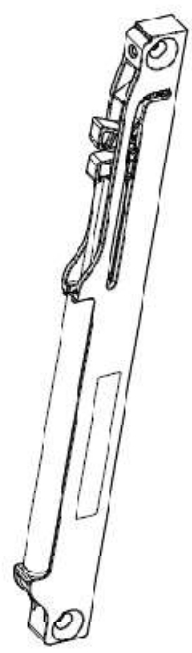
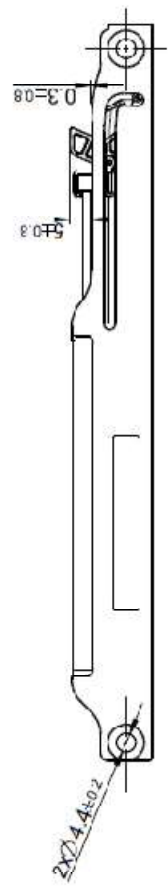
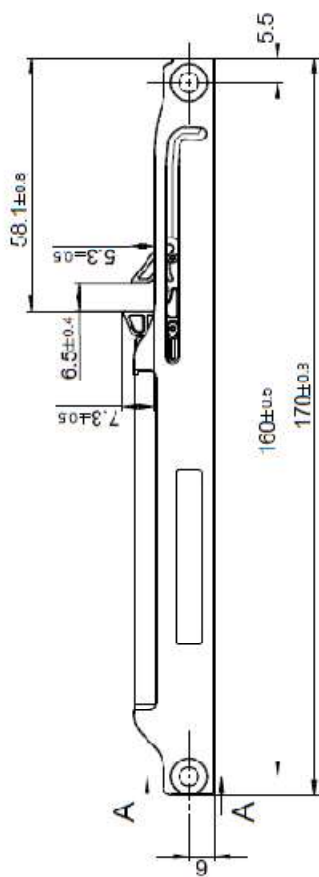
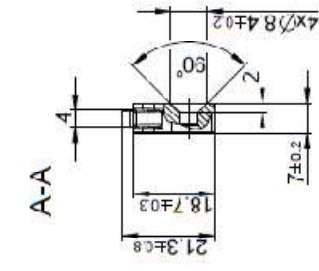
Activator

	<p>activator (standard) in 3 different heights (8/10/12 mm)</p>
	<p>activator (retrofit) in 3 different heights (8/10/12 mm)</p>

8. Connection

	<p>Euro screw</p>  <p>Metric screw</p>  <p>Wood screw</p> 
--	---

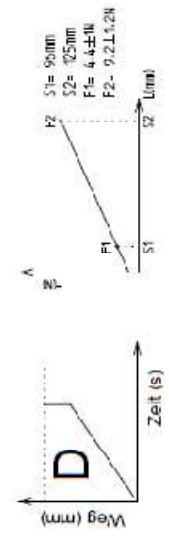
9. Technical drawing



Operating conditions: +10°C to +40°C
 Storage conditions: -20°C to +30°C
 Stroke: 30mm
 Max. mass to be braked: 20kg (C)
 Do not use as end stop.

All drillings must be used for fitting!

spring value w thour friction!



		Allgemeine Anzei- nach DIN ISO 7746 - m		Maßstab 1:1		Stück 1000		Zeichnungs- Nr. 10351001	
Alle Maße sind in mm angegeben. Reproduction using ink is not allowed without the written approval of Zimmer Group.		Datum 07.11.22		Zeichnungs- Nr. 17.01.23		Hersteller Zimmer		Zeichnungs- Nr. 00351001	
Kanten radii Esizes according to ISO 13715		Datum 08.05.20		Zeichnungs- Nr. 19.03.22		Hersteller Zimmer		Zeichnungs- Nr. 00351001	
Projekt 1		Name Zimmer Detail Bauteilzeichnung		Datum 08.05.20		Zeichnungs- Nr. 19.03.22		Zeichnungs- Nr. 00351001	
Projekt 1		Name Zimmer Detail Bauteilzeichnung		Datum 08.05.20		Zeichnungs- Nr. 19.03.22		Zeichnungs- Nr. 00351001	

Self-closing device
 Silento Stretto
 Zeichnungsnummer
 E03C-06-002_c

10. Test procedure

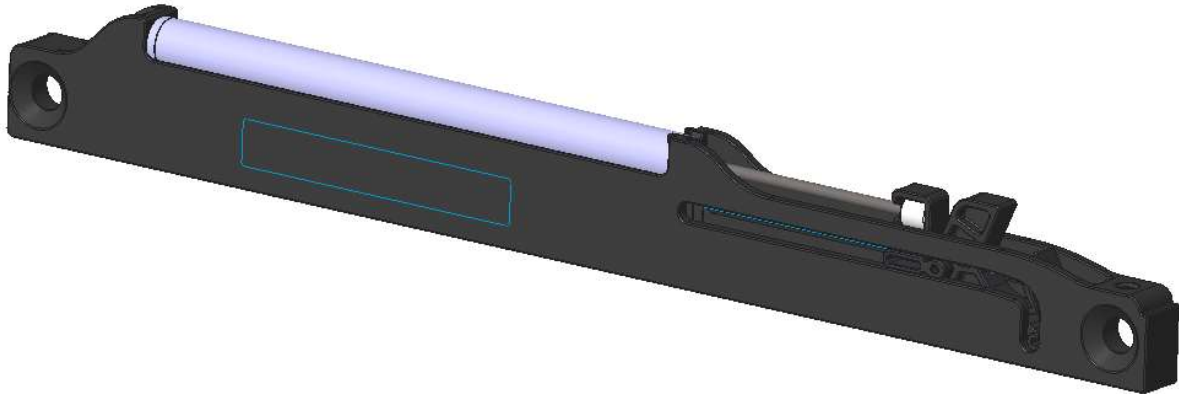
Test	Requirements according to Zimmer	Requirements Zimmer met
Long-term test	50.000 cycles at 0,25m/s	✓
Storage test	-20°C to 80°C	✓
Climate test	10°C to 40°C	✓

11. Materials

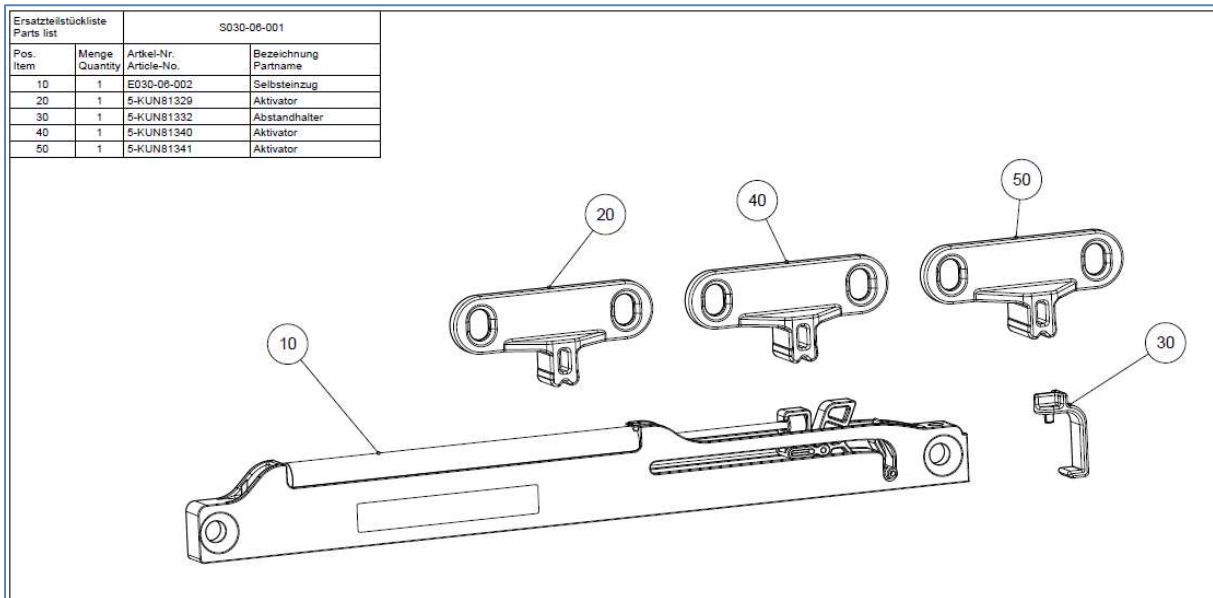
Housing	PA
Hook	Polyketone
Slider	POM
Spring	Spring steel wire

12. Article number

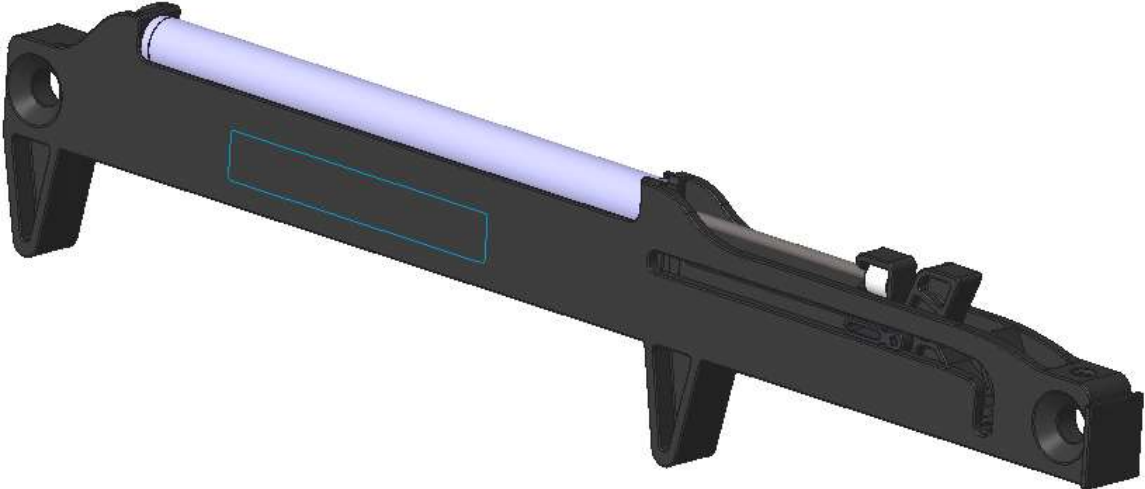
E030-06-002 (standard):



Suitable set number: S030-06-001



E030-06-003 (retrofit):

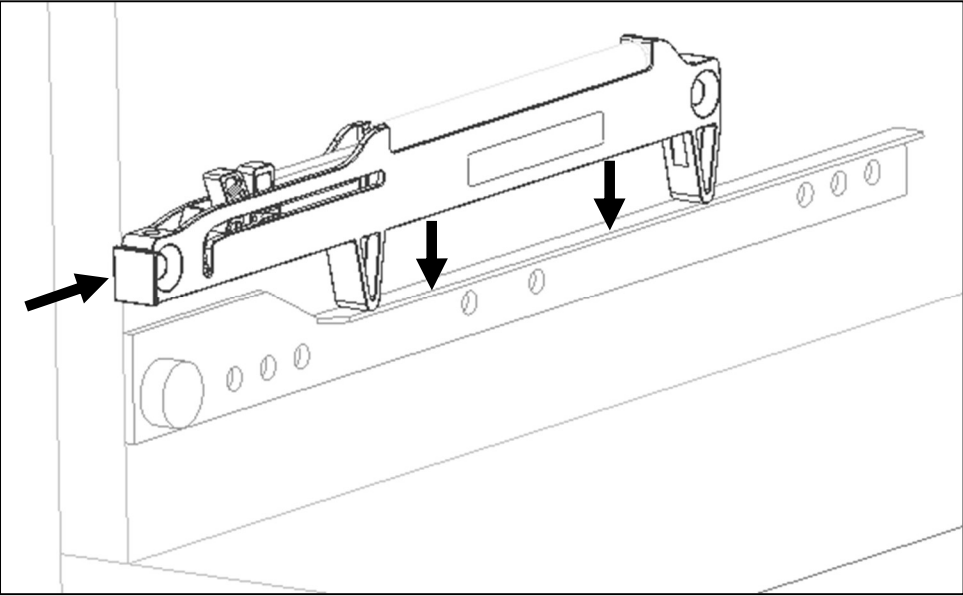


Suitable set number: S030-06-002

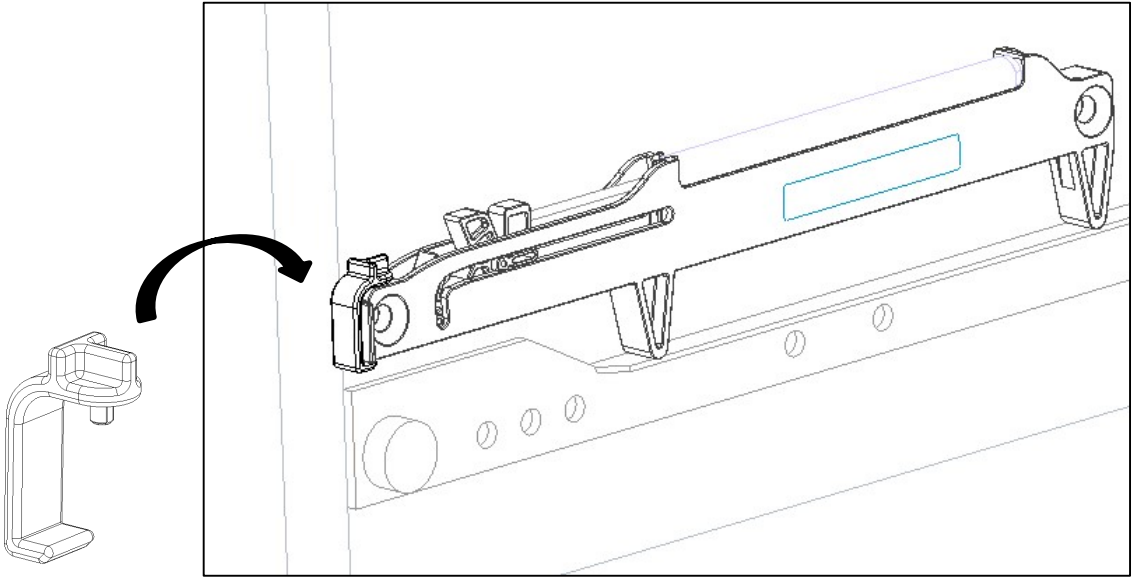
Ersatzteilstückliste Parts list		S030-06-002	
Pos. Item	Menge Quantity	Artikel-Nr. Article-No.	Bezeichnung Partname
10	1	E030-06-003	Selbststeinzug
20	1	5-KUN81330	Aktivator
30	1	5-KUN81332	Abstandhalter
40	1	5-KUN81342	Aktivator
50	1	5-KUN81343	Aktivator

13. Assembly instructions for retrofit

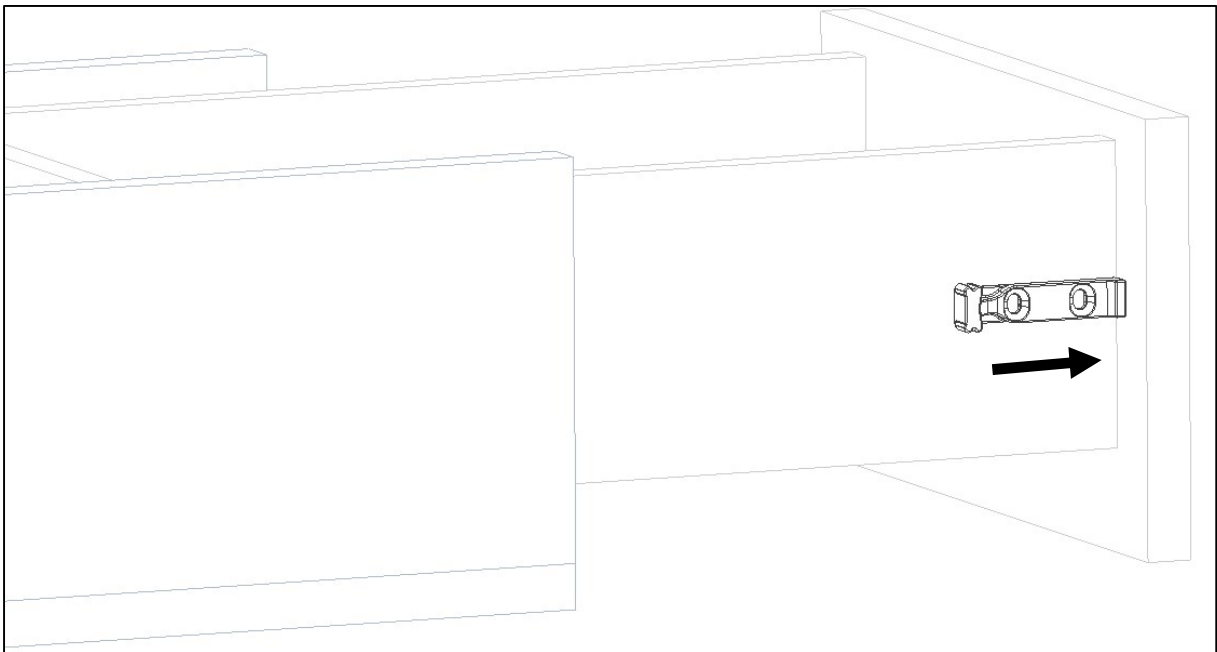
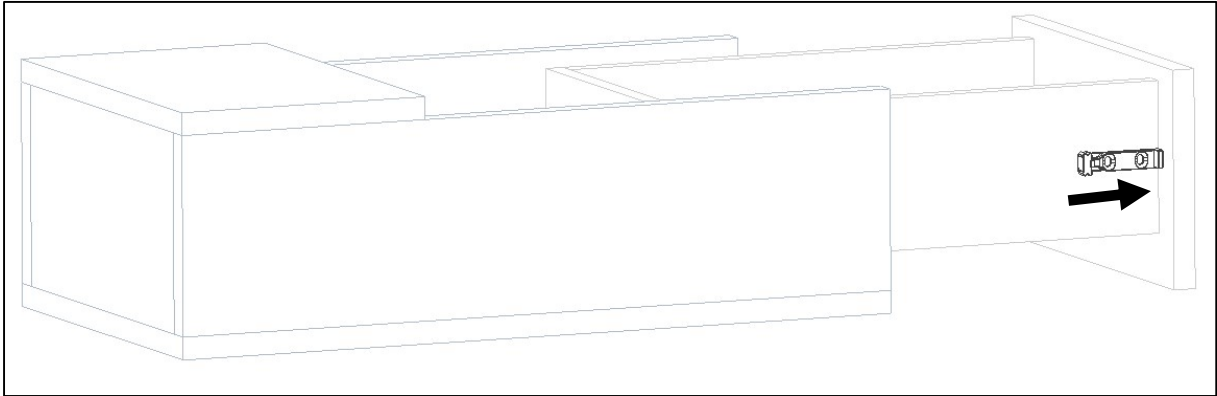
1)



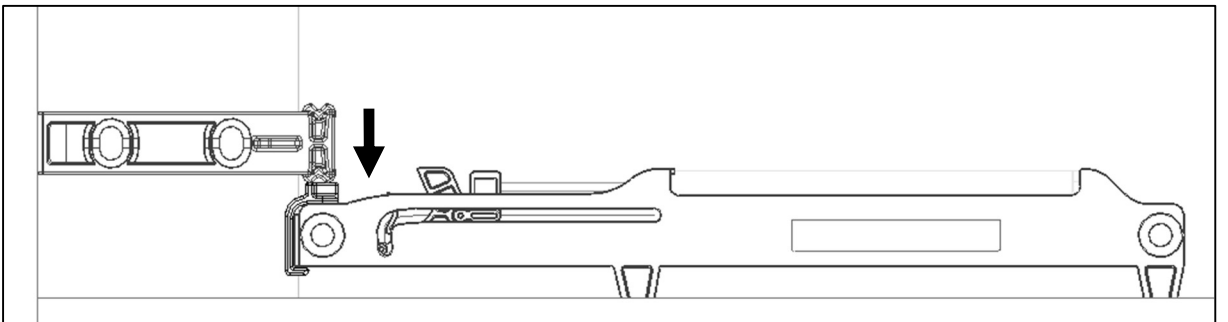
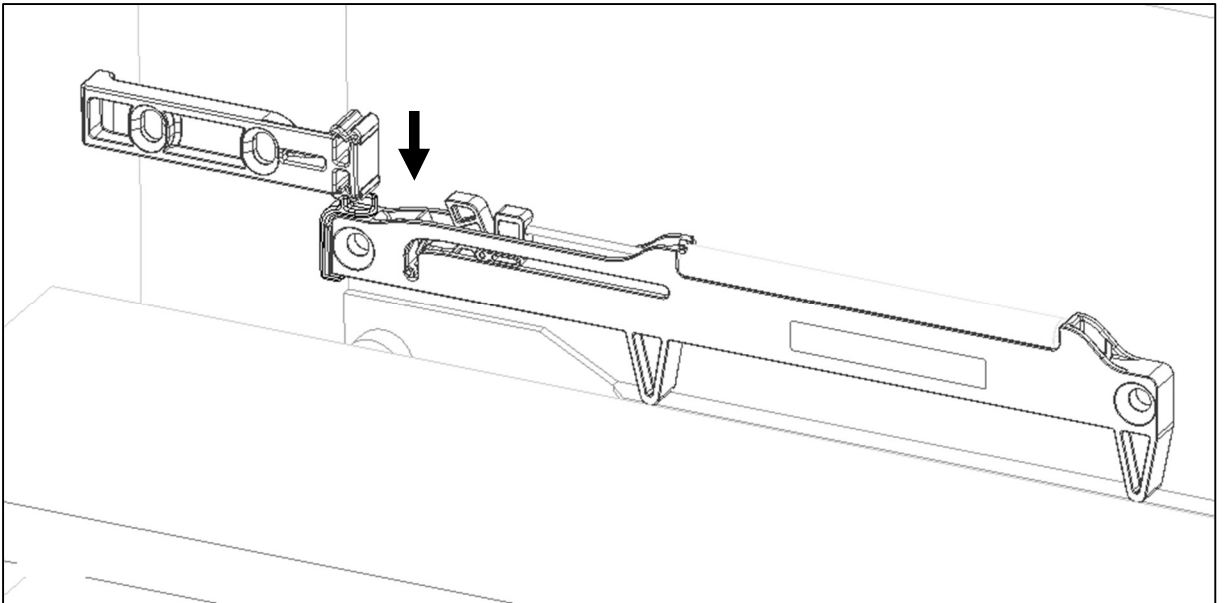
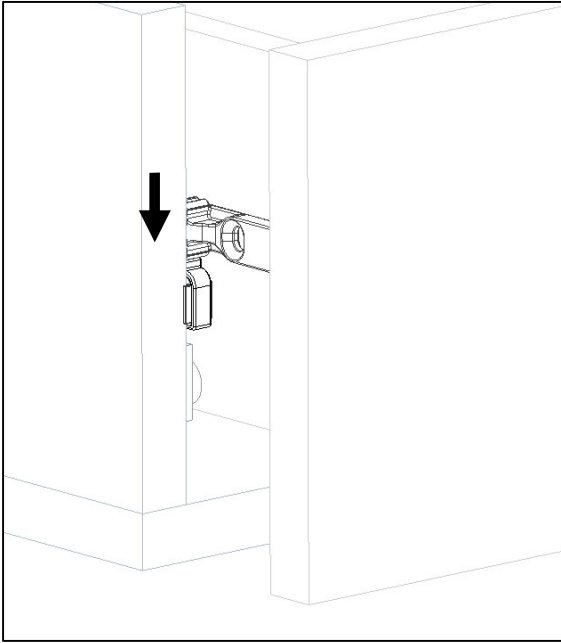
2)



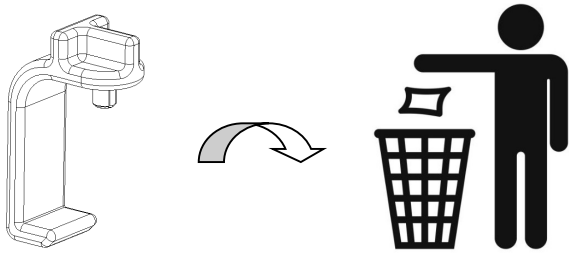
3)



4)



5)



6)

