

Product information

Locker room door hinge

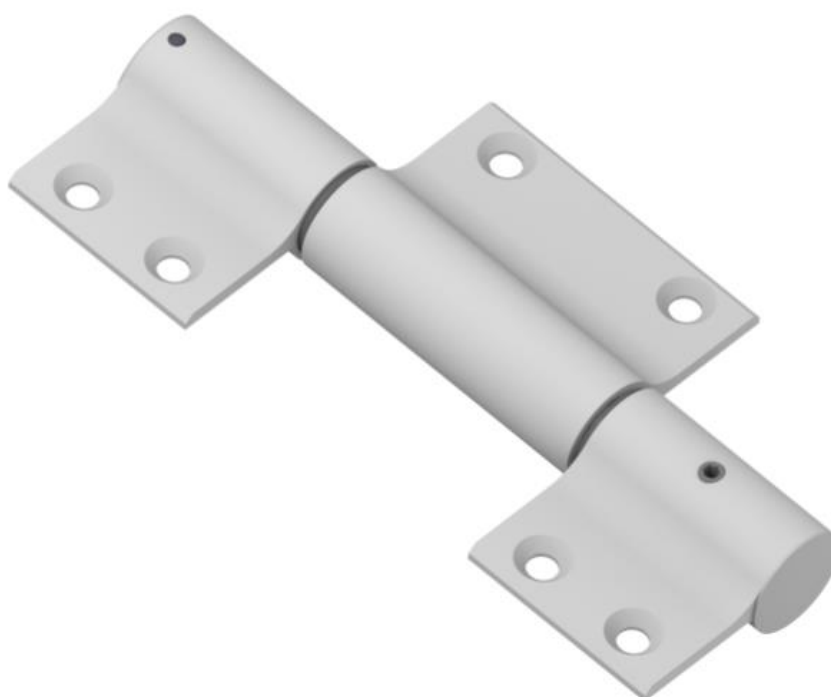
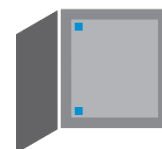
**THE
KNOW-
HOW
FACTORY**

ZIMMER GROUP

Am Glockenloch 2
77866 Rheinau
T +49 7844 9110-0
info@daempfungssysteme.de
www.zimmer-softclose.shop
www.zimmer-group.com

General data:

Type of product:	Soft Close door hinge
Origin:	Rheinau, Baden-Württemberg, Germany
Lifetime:	100.000 cycles
Installation option:	Door



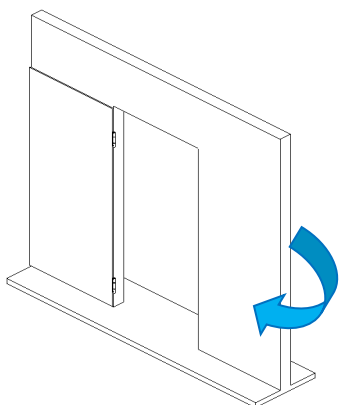
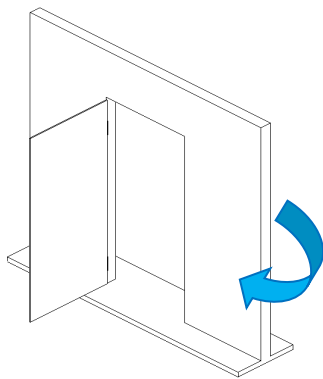
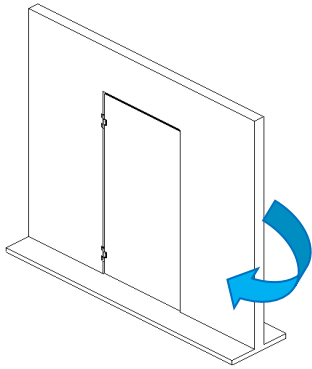
Index

1. Content.....	3
2. Function.....	4
3. Technical data	7
4. Characteristics.....	7
5. Integration	8
7. Technical drawing.....	9
8. Test procedure	11

1. Content

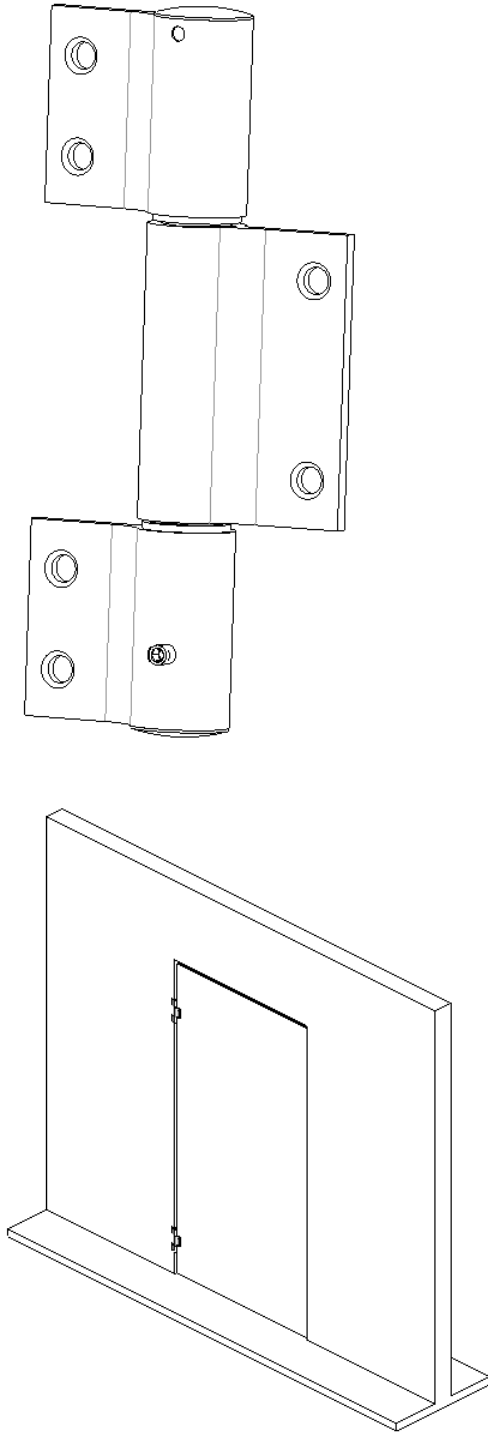
The new innovative damped door hinge is mounted as a connecting piece between a fixed part and the door leaf.

The hinge opens outwards and can be opened up to 180°.

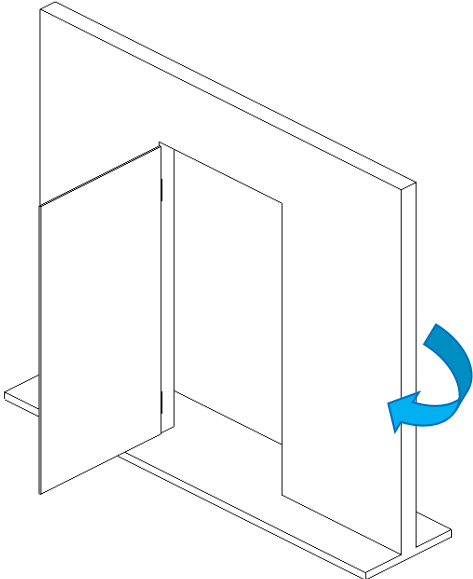
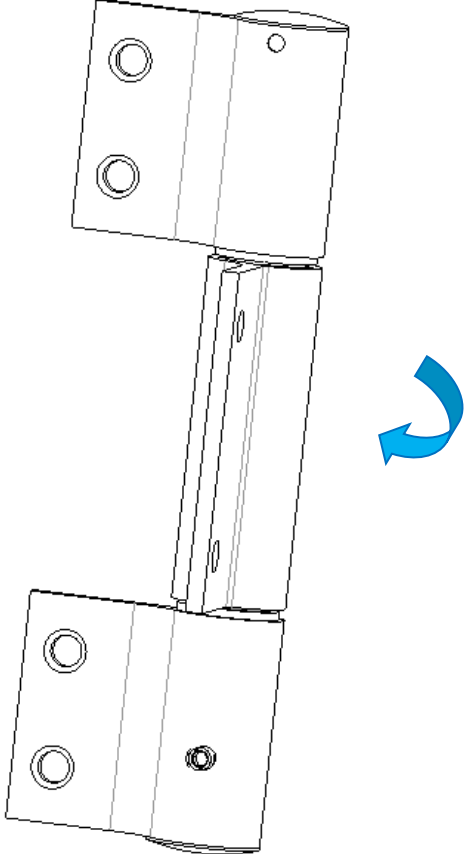


2. Function

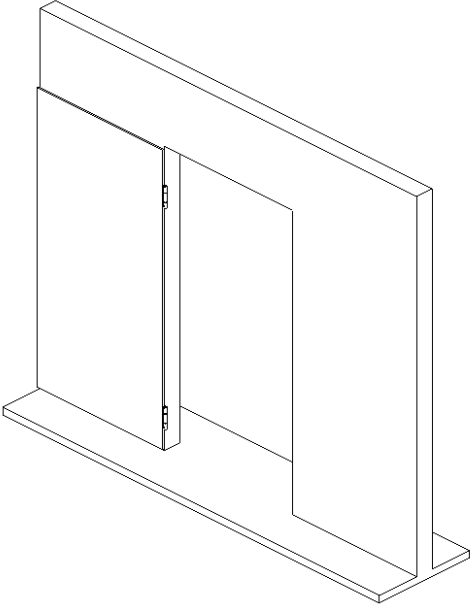
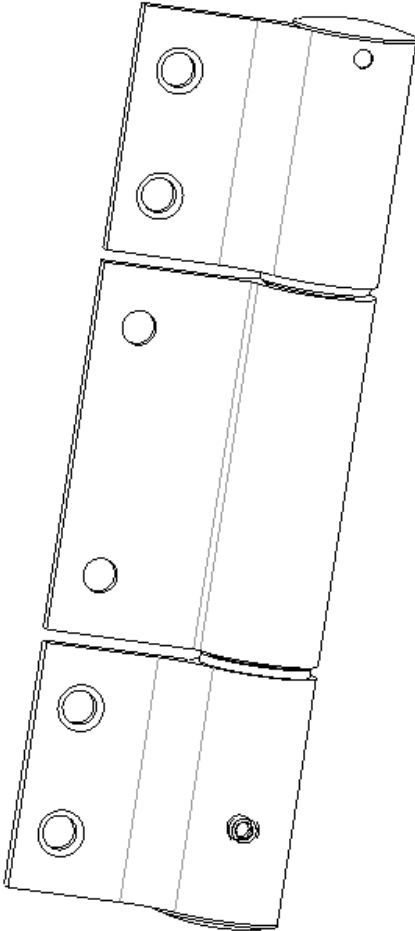
Door Hinge at 180° (door closed)



Door Hinge at 90° (door open)



Door Hinge at 0° (Door 180° open)



3. Technical data

Length [mm]:	70
Width [mm]:	20
Height [mm]:	148
Load capacity per hinge [kg]:	20
Lifetime [cycles]:	100.000
Operating conditions [°C]	10 to 40
Storage conditions [°C]	-20 to 80

4. Characteristics

- Damped door hinge
- Opening 180° on one side
- permanent closing by second hinge with spring
- Automatic centering, door is closed in rest position
- Strong damping on the last 15-30°
- Load capacity per hinge: up to approx. 20 kg
- Article number: B014-10-010

5. Integration

6. Main application:

Sliding door	
Drawer	
Hinge	<input checked="" type="checkbox"/>
Flap	

8. Test procedure

The hinge is tested on the basis of:

- DIN EN 1154:2003 (Door closing device with controlled closing process)
- DIN EN 1670:2007 (corrosion resistance)