

Product information

Impulso Doppio

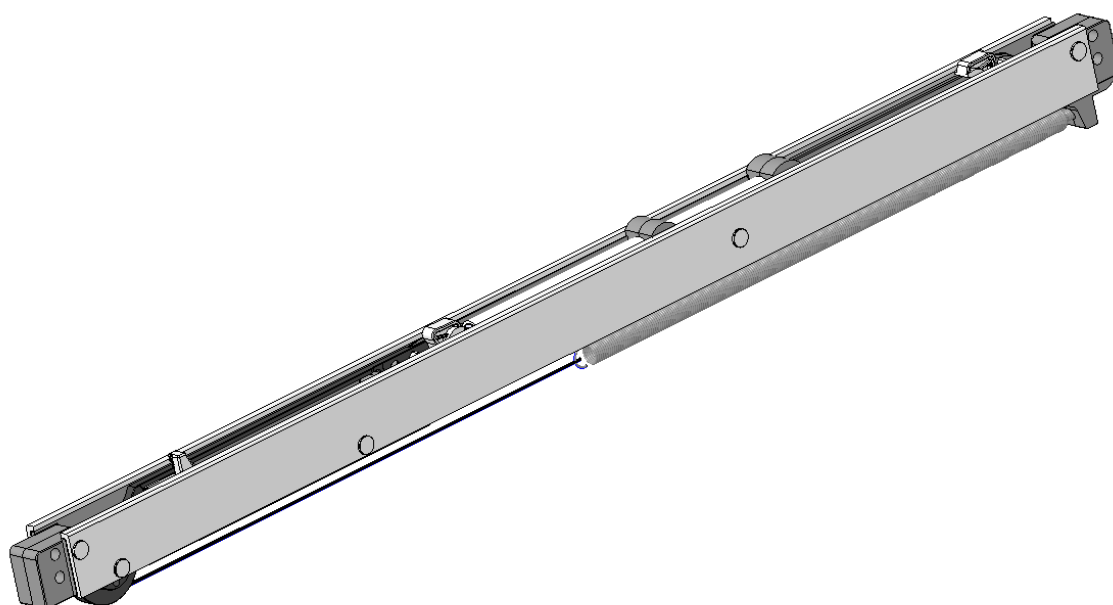
**THE
KNOW-
HOW
FACTORY**

ZIMMER GROUP

Am Glockenloch 2
77866 Rheinau
T +49 7844 9110-0
info@daempfungssysteme.de
www.zimmer-softclose.shop
www.zimmer-group.com

General data:

Type of product:	Push to open with SOFT CLOSE unit
Origin :	Rheinau, Baden- Württemberg, Germany
Lifetime:	100.000 cycles
Installation option:	Sliding door Pocket door

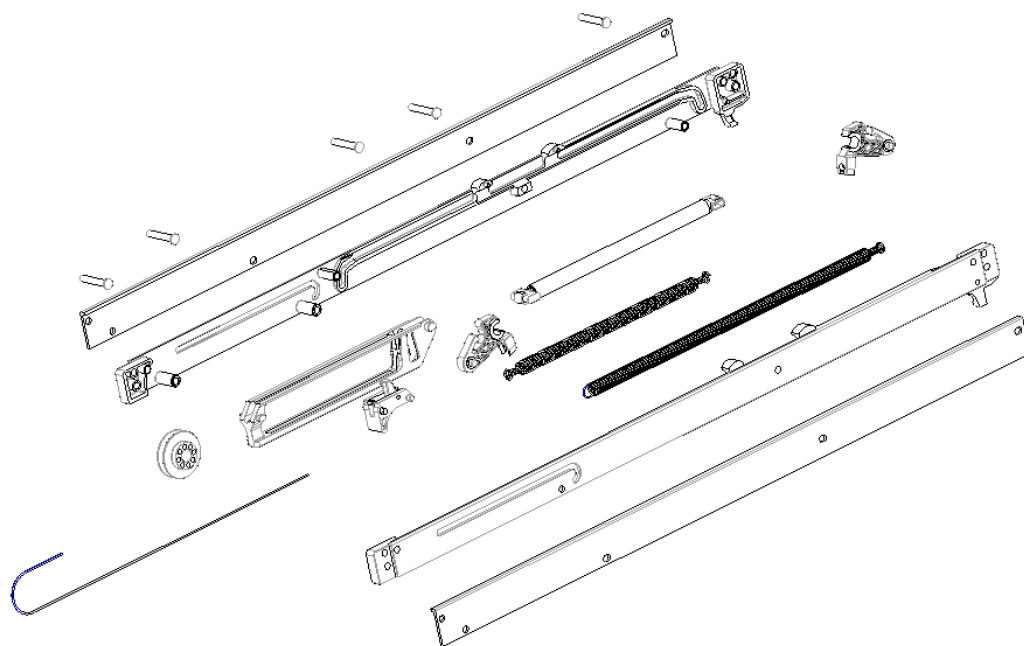


Safe soft closing of a sliding door or pocket door, quiet ejection of the door leaf after tipping it.
Mounted inside the rail of the carriage.

Index

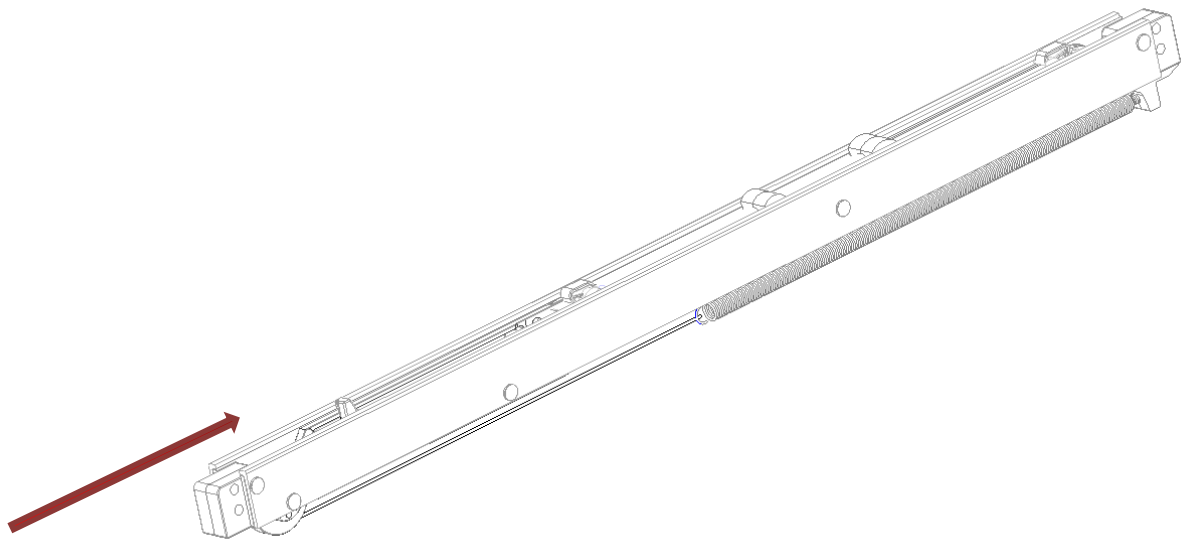
- 1. Content 3
- 2. Function 4
- 3. Technical data 5
- 4. Characteristics 6
- 5. Integration 7
- 6. Overlap of the locking hook 8
- 7. Accessories 9
- 8. Damper characteristic 10
- 9. Technical drawing 11

1. Content



2. Function

Push to open unit with soft close function. Door is thrown in and then closes automatically, ejection by gently pressing on the door, no recess on the front of the door required (to open), Push to open unit with soft close function. The sliding door can be opened manually and gets automatically drawn into the end position by the system. A gentle tap of the finger is all it takes to accelerate the door leaf in the closing direction. Through the double-sided acting unit the soft close function also guarantees convenient operation in this direction so that the door is securely closed. If the system is installed in conjunction with a pocket door, it is not necessary to install a trough, flap or handle on the front of the door. The whole unit fits into the rail profile together with the carriages.



3. Technical data

Housing length [mm]:	418
Housing width [mm]:	19
Housing height (total height) [mm]:	36,7 (40,2)
Distance fixing points [mm]:	404
Ø of fixing holes [mm]:	3,5 / M4
Stroke [mm]:	70
Weight to be braked [kg]:	15-80
Lifetime [cycles]:	100.000
Release:	2023
Operating conditions [°C]	10 to 40
Storage conditions [°C]	-20 to 80

4. Characteristics

Closed unit	<input checked="" type="checkbox"/>
Effective direction outside closing	
Effective direction inside closing	<input checked="" type="checkbox"/>
Fluid damper	<input checked="" type="checkbox"/>
Air-friction damper	
Damping effect one-way	
Damping effect both-sided	<input checked="" type="checkbox"/>
Different locking hooks possible	<input checked="" type="checkbox"/>
Emergency function	<input checked="" type="checkbox"/>

5. Integration

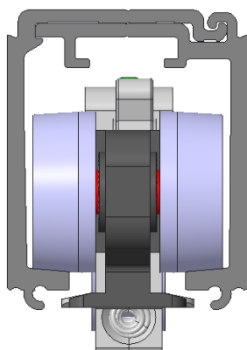
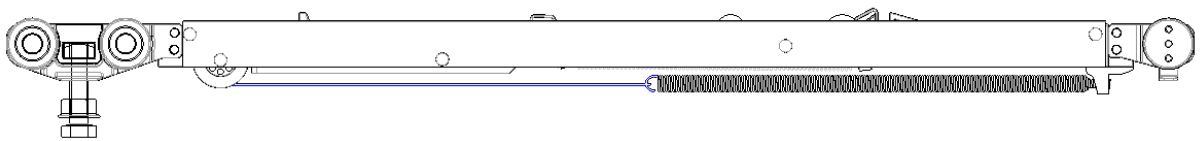
Main application:

Sliding door	<input checked="" type="checkbox"/>
Drawer	
Hinge	
Flap	
Pocket door	<input checked="" type="checkbox"/>

Multiple orientation of the fixing possible	
Fixing hole with lowering	<input checked="" type="checkbox"/>
Connection to running gear provided	<input checked="" type="checkbox"/>
Mounting on running rail possible	
Retrofit	<input checked="" type="checkbox"/>
Threaded nut possible for the fixation	

Do not use as end stop! Additional customer-side end stop necessary!

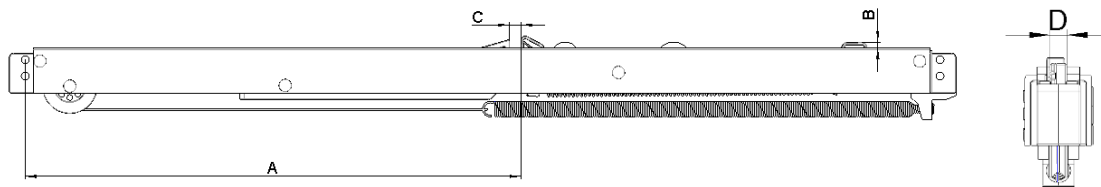
Possible integration (exemplary)



6. Overlap of the locking hook

High locking hook (5-KUN00136 / 5-KUN00137)

	Nominal dimensions <i>[Figures in mm]</i>	Tolerance range <i>[Figures in mm]</i>
A	219,00	-1,00
B	2,4	
C	5,00	-0,20
D	4,90	$\pm 0,10$





Note:

When using your own activator, make sure that the dimensions A / B / C are kept. The contour of the activator needs to be determined according to the arrangement with the company ZIMMER.

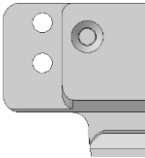
Actuator should have as little space as possible in the locking hook!

7. Accessories

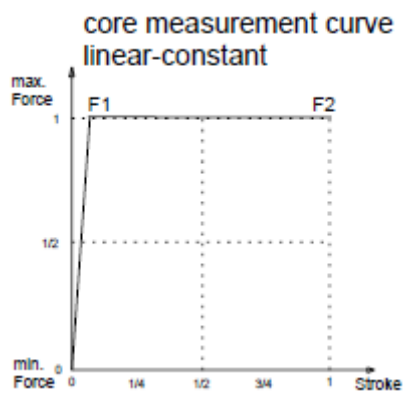
Locking hook

	Standard locking hook
	Lower locking hook if space is tight

Connection

	Without threaded nut
--	----------------------

8. Damper characteristic



9. Technical drawing

