

Product information

Retro 2

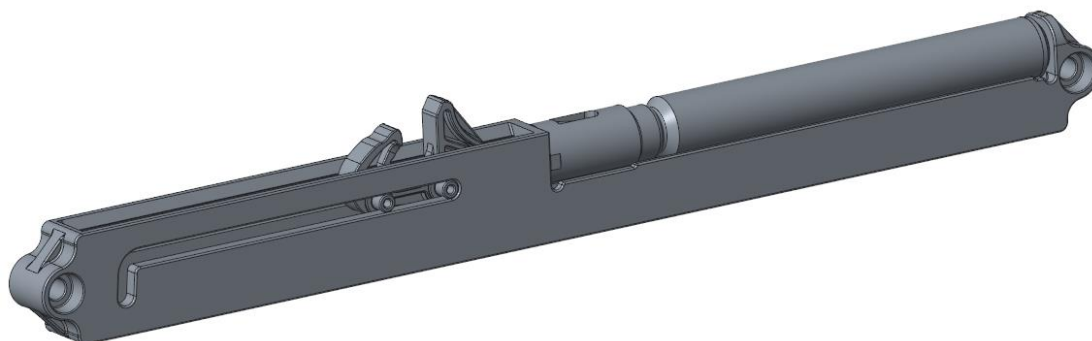
**THE
KNOW-
HOW
FACTORY**

ZIMMER GROUP

Am Glockenloch 2
77866 Rheinau
T +49 7844 9110-0
info@daempfungssysteme.de
www.zimmer-group.com
www.zimmer-softclose.shop

General data:

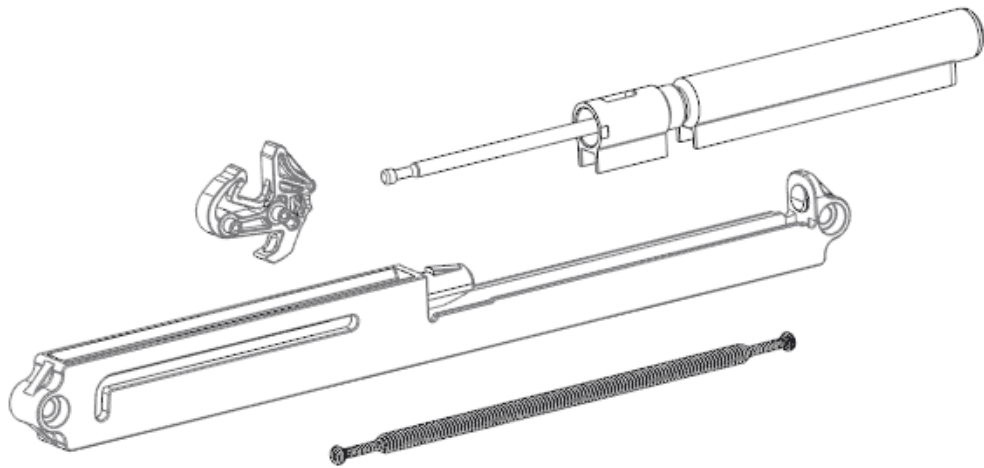
Type of product:	Self-closing unit with air-friction damper
Origin :	Rheinau, Baden- Württemberg, Germany
Lifetime:	100.000 cycles
Installation option:	Drawer



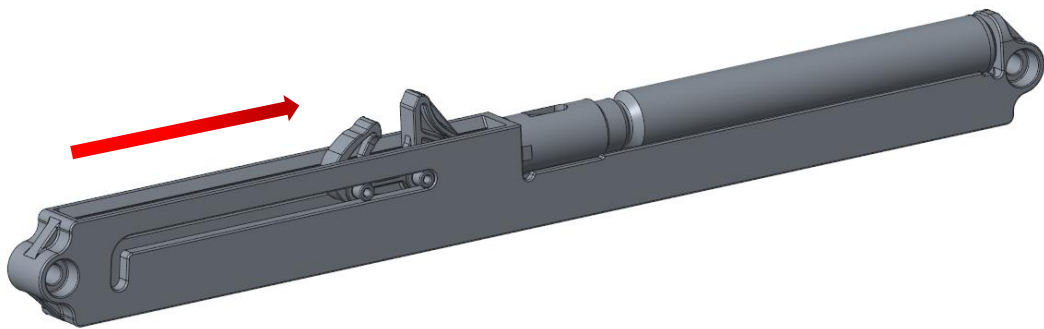
Index

- 1. Content.....3
- 2. Function.....3
- 3. Technical data4
- 4. Characteristics.....4
- 5. Integration5
- 6. Overlap of the locking hook.....7
- 7. Accessories8
- 8. Damper characteristic9
- 9. Technical drawing.....10
- 10. Test procedure.....11
- 11. Materials.....11

1. Content



2. Function



3. Technical data

Housing length [mm]:	201
Housing width [mm]:	10,4
Housing height (total height) [mm]:	18,5 (26,5)
Distance fixing points [mm]:	192
Ø of fixing holes [mm]:	3,5
Stroke [mm]:	50
Weight to be braked [kg]:	25
Lifetime [cycles]:	100.000
Release:	yes
Operating conditions [°C]	10 to 40
Storage conditions [°C]	-20 to 80

4. Characteristics

Closed unit	
Effective direction outside closing	
Effective direction inside closing	<input checked="" type="checkbox"/>
Fluid damper	
Air-friction damper	<input checked="" type="checkbox"/>
Damping effect one-way	<input checked="" type="checkbox"/>
Damping effect both-sided	
Different locking hooks possible	<input checked="" type="checkbox"/>
Emergency function	<input checked="" type="checkbox"/>

5. Integration

Main application:

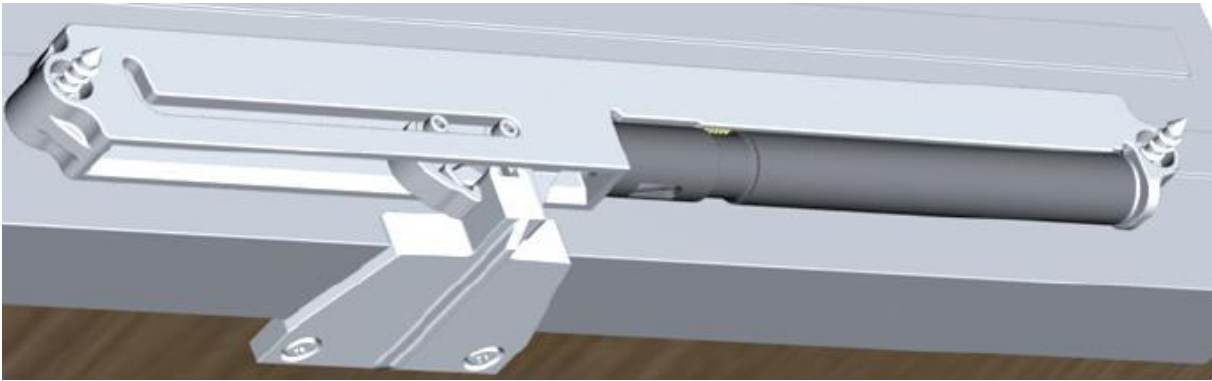
Sliding door	
Drawer	<input checked="" type="checkbox"/>
Hinge	
Flap	

Multiple orientation of the fixing possible	
Fixing hole with lowering	<input checked="" type="checkbox"/>
Connection to running gear provided	
Mounting on running rail possible	<input checked="" type="checkbox"/>
Retrofit	<input checked="" type="checkbox"/>
Threaded nut possible for the fixation	

Do not use as end stop! Additional customer-side end stop necessary!

Possible integration (exemplary)

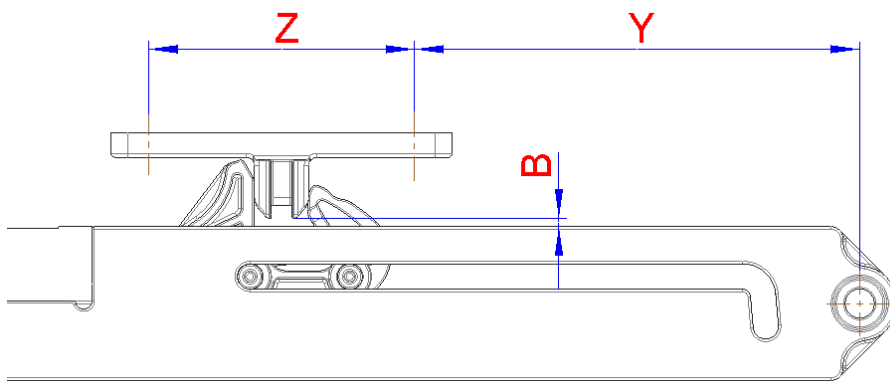




6. Overlap of the locking hook

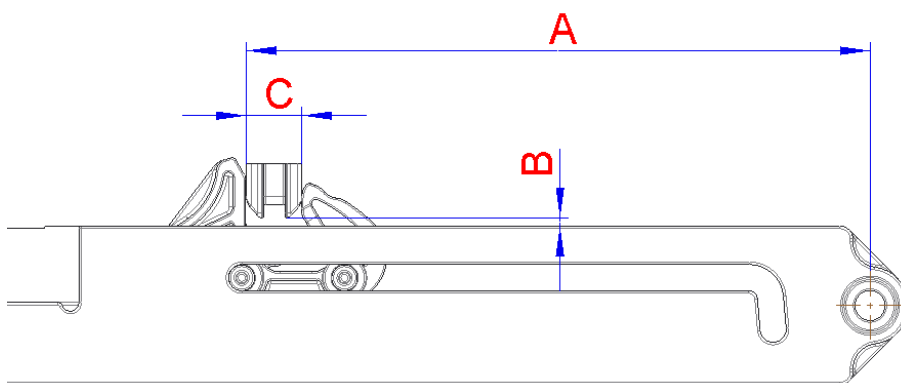
Soft close unit with ZIMMER activator

	Nominal dimensions [Figures in mm]	Tolerance range [Figures in mm]
B	1,00	+2,00
Y	53,5	-1,00
Z	32,00	±0,15



Soft close unit without ZIMMER activator

	Nominal dimensions [Figures in mm]	Tolerance range [Figures in mm]
A	72,50	-1,00
B	1,00	+2,00
C	6,50	±0,10





Note:

When using your own activator, make sure that the dimensions A / B / C are kept. The contour of the activator needs to be determined according to the arrangement with company ZIMMER.

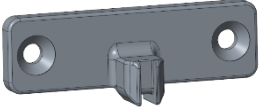
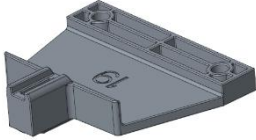
Activator should have as little space as possible in the locking hook!

7. Accessories

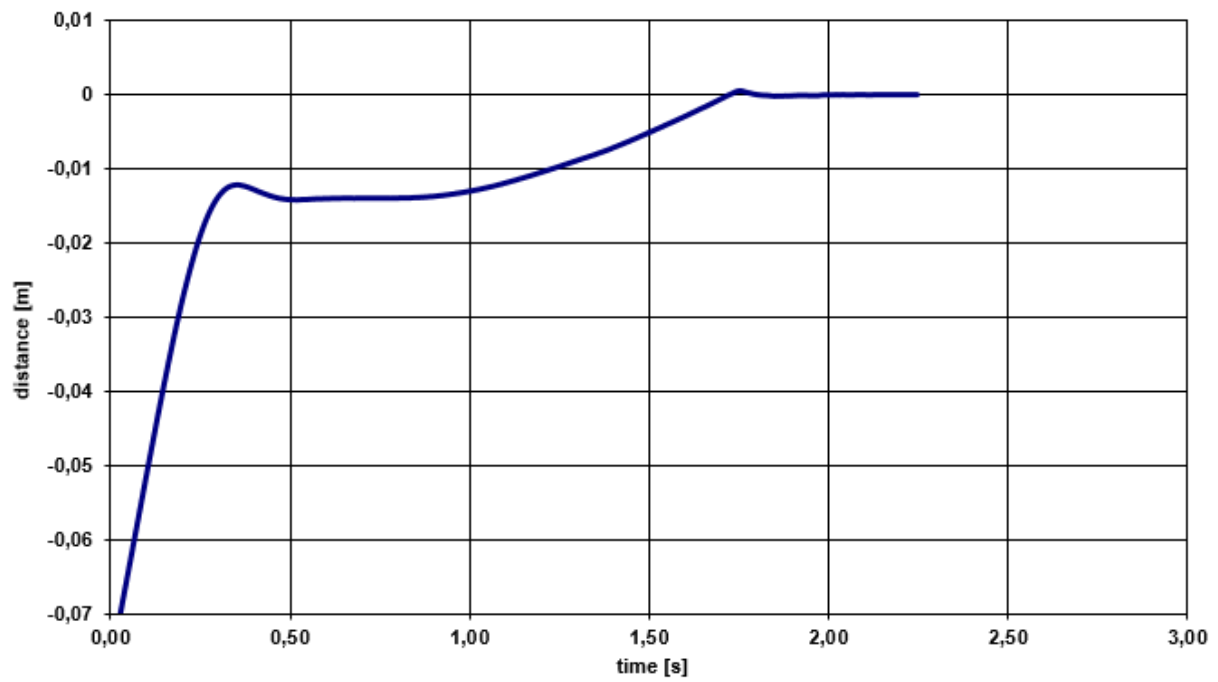
Locking hook

	Standard locking hook
	Lower locking hook if space is tight

Activator

	Standard activator
	for single wall drawers

8. Damper characteristic



$$V = \sim 0,25 \text{ m/s}$$

9. Technical drawing

① light grey
 Operating conditions: +10°C to +40°C
 Storage conditions: -20°C to +80°C
 Stroke: 50mm
 Max. weight to be braked: 25kg
 Do not use as end stop.

general tolerances acc. to DIN ISO 2768 - m		Date		Name	
Drawn	10.05.13	posammann			
Check	16.01.15	Diabochie			
Appr.					
Issued					
Projection		Date		Name	
1:1		16.01.15		posammann	
Scale		1:1		Name	
Surface		25756mm ²		Weight	
Mat. No.				Volume	
Part No.				17687mm ³	
Self-closing device					
Retiro 2					
ZIM041					
Drawing No.				E050-10-025_c	
Sheet 5 of 5				Sheet 5 of 5	
Pro:ENGINEER-Drwing				Date: 01.02.15	

10. Test procedure

Test	Requirements according to Zimmer	Requirements Zimmer met
Long-term test	100.000 cycles	✓
Over stress test	10 x 1 m/s	✓
Storage test	-20°C to 80°C	✓
Climate test	10°C to 40°C	✓

11. Materials

Selfclosing unit:

Housing:	PA6 GF30
Hook:	PA6
Spring:	EN10270-1-DH