

Product information

Silento Universale

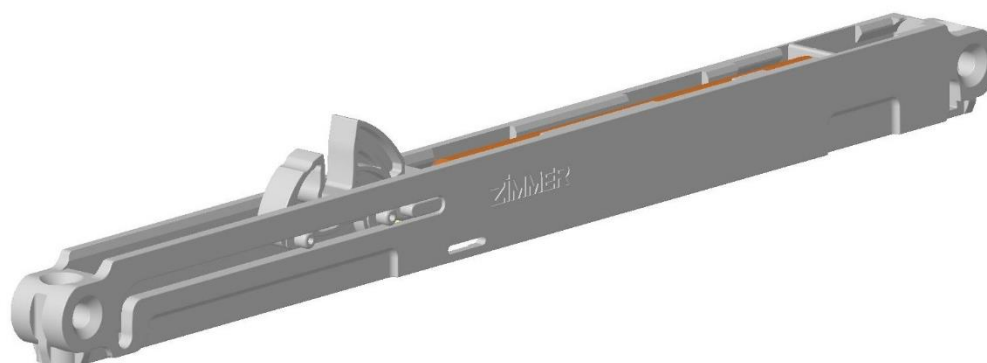
**THE
KNOW-
HOW
FACTORY**

ZIMMER GROUP

Am Glockenloch 2
77866 Rheinau
T +49 7844 9110-0
info@daempfungssysteme.de
www.zimmer-group.com
www.zimmer-softclose.shop

General data:

Type of product:	Self-closing unit with fluid damper
Origin:	Rheinau, Baden- Württemberg, Germany
Lifetime:	100.000 cycles
Installation option:	Sliding door Drawer



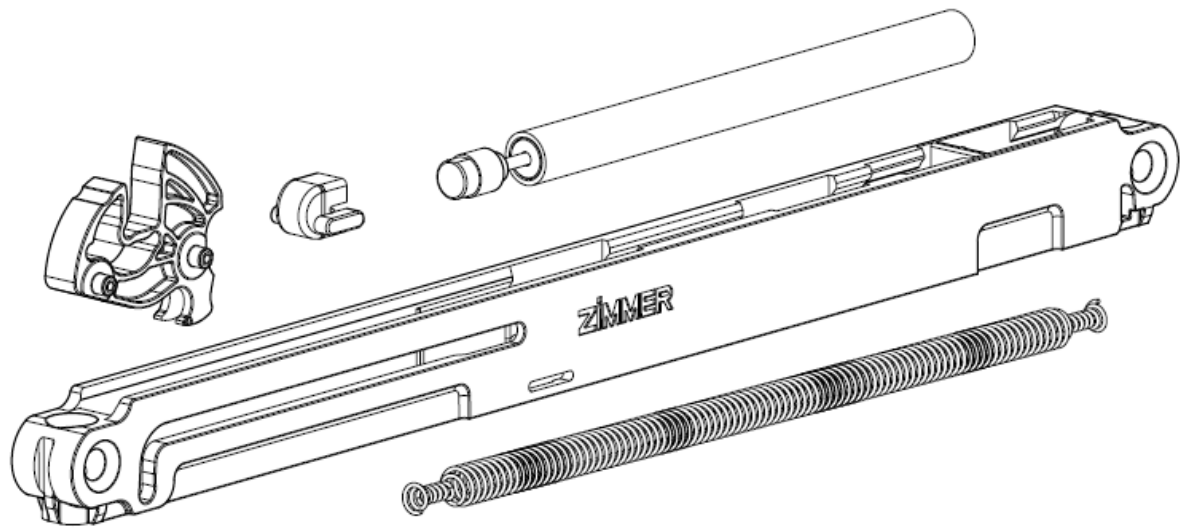
Economic, compact self-closing unit.

The minimalist design of this unit allows a great many possibilities of use. Due to the high variety of variants, the Silento Universale can be adapted to the most diverse requirements. In addition, customer-specific coordination are also possible.

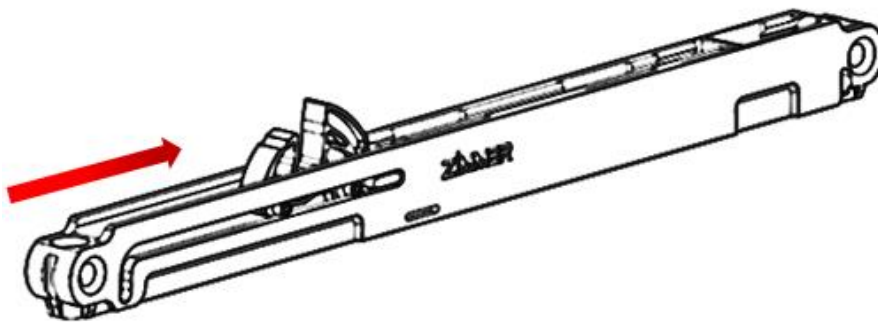
Index

1. Content.....	3
2. Function.....	3
3. Technical data	4
4. Characteristics.....	4
5. Integration	5
6. Overlap of locking hooks	6
7. Accessory.....	7
8. Damping characteristic.....	8
9. Technical drawing.....	9
10. Test procedure.....	10
11. Materials.....	10

1. Content



2. Function



This unit can dampen weights of up to 70 kg and retract into the end position. It can be installed in all possible orientations. The locking hook has an emergency detent spring, which makes installation easier and guarantees proper functioning. The use of a stainless steel spring is possible.

3. Technical data

Housing length [mm]:	237
Housing width [mm]:	12
Housing height (total height) [mm]:	17,3 (25,8;28,7)
Distance fixing points [mm]:	224
Ø of fixing holes [mm]:	4,2 / 4,6
Stroke [mm]:	50
Weight to be braked [kg]:	10-70
Lifetime [cycles]:	100.000
Release:	possible
Operating conditions [°C]	+10 <-> +40
Storage conditions [°C]	-20 <-> +80

4. Characteristics

Closed unit	
Effective direction outside closing	
Effective direction inside closing	<input checked="" type="checkbox"/>
Fluid damper	<input checked="" type="checkbox"/>
Air-friction damper	
Damping effect one-way	<input checked="" type="checkbox"/>
Damping effect both-sided	
Different locking hooks possible	<input checked="" type="checkbox"/>
Emergency function	<input checked="" type="checkbox"/>

5. Integration

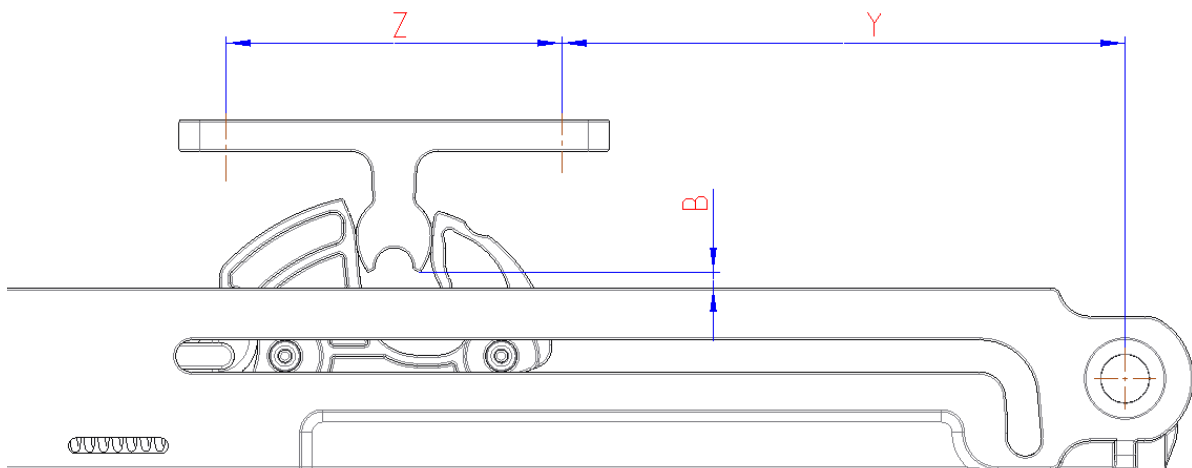
Single orientation of the fixing	<input checked="" type="checkbox"/>
Multiple orientation of the fixing possible	<input checked="" type="checkbox"/>
Fixing hole with lowering	<input checked="" type="checkbox"/>
Connection to running gear provided	<input checked="" type="checkbox"/>
Mounting on running rail possible	<input checked="" type="checkbox"/>
Retrofit	<input checked="" type="checkbox"/>

Do not use as end stop! Additional customer-side end stop necessary!

6. Overlap of locking hooks

Soft-close with ZIMMER-actuator


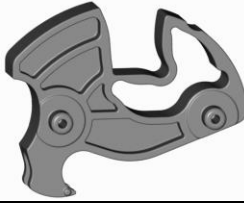
	Nominal dimensions [Figures in mm]	Tolerance range [Figures in mm]
B	1,00	+3,00
Y	53,00	-1,00
Z	32,00	±0,10



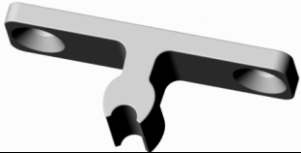


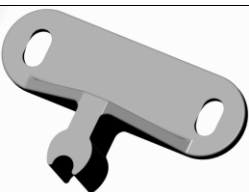
Note: Actuator should have as little space as possible in the locking hook!

7. Accessory

Locking hook

	Locking hook standard
	Locking hook short

Actuators

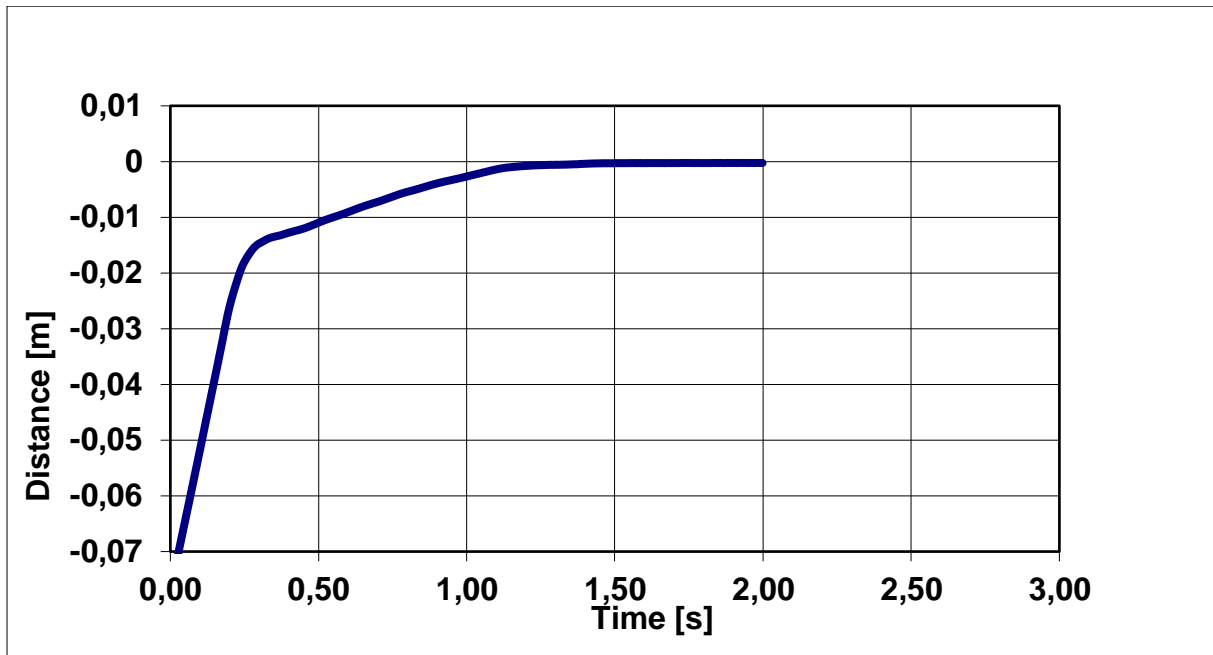
	Actuator standard
	Actuator long
	Actuator 90°
	Actuator long

Assembling aid:

	Adapter with long hole
-------------------------------------------------------------------------------------	------------------------

8. Damping characteristic

way/time unit at 0,25m/s 50 kg



9. Technical drawing

1 light grey
 Operating conditions: +10°C to +40°C
 Storage conditions: -20°C to +80°C
 Stroke: 50mm
 Max. mass to be braked: 10kg
 Do not use as end stop.
 All drillings must be used for fitting!

		general tolerances acc. to DIN ISO 2768 - m		Material 1:1 Color 32+05mm ¹ Weight 2170mm ³ Stroke SEZFL8	
100% Produktverfügbarkeit Verwendbar auch zur Auslagerung. Nur mit schriftlicher Genehmigung der Zimmer Group.		Series 20.05.17 Design 05.02.19 Drawn - Checked - Released -	Name Silento universale Code ZIM191 Drawing number E050-08-173 -	Material 1:1 Color 32+05mm ¹ Weight 2170mm ³ Stroke SEZFL8	
		ZIMMER group Zimmer Group, Zweigabteilungen		Project number 00 Scale 1:1 Sheet 1 of 1	

10. Test procedure

Test	Requirements according to Zimmer	Requirements Zimmer met
Long-term test	100.000 cycles 0,25m/s	✓
Over stress test	10 cycles 1m/s	✓
Storage test	-20°C to 80°C	✓
Climate test	10°C to 40°C	✓

11. Materials

Selfclosing unit:

Housing:	POM GF25
Hook:	Polyketon
Spring:	EN10270-1-DH

Damper:

Housing:	POM
Spring:	EN10270-3
Piston rod:	X5CrNi18-10
Oil	Silicon oil
Coupler:	POM / TPE & PP
Disk:	PET
Piston	POM
Cap:	POM
Sealing	NBR