

Product information

Silento Porta 70

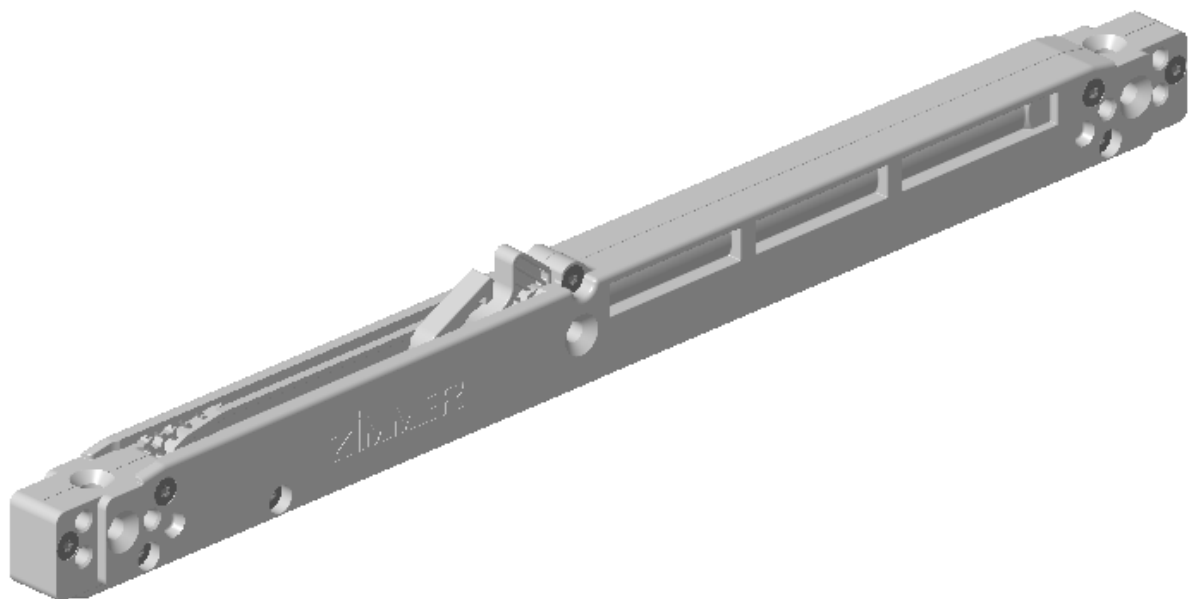
**THE
KNOW-
HOW
FACTORY**

ZIMMER GROUP

Am Glockenloch 2
77866 Rheinau
T +49 7844 9110-0
info@daempfungssysteme.de
www.zimmer-group.com
www.zimmer-softclose.shop

General data:

Type of product:	Self-closing unit with fluid damper
Origin:	Rheinau, Baden- Württemberg, Germany
Lifetime:	100.000 cycles
Installation option:	Sliding door Drawer



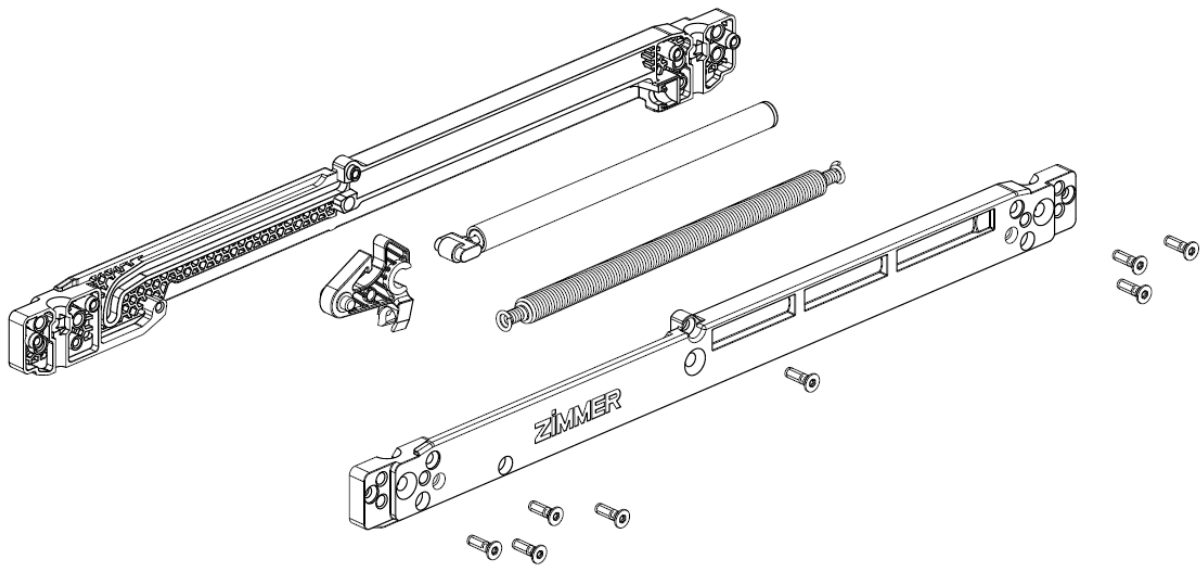
Customer-friendly, uncomplicated and versatile.

This unit named Silento Porta offers a frictionless damping of different sliding doors. User-friendly connection opportunities complete this product: invisibly integrated into a rail system, mounted in different installation positions (flat, upright, right and left turn closing) or fixed adaptively onto the track carriage.

Index

1. Content	3
2. Function.....	3
3. Technical data	4
4. Characteristics	4
5. Integration	5
6. Positioning in a rail	6
7. Overlap of locking hooks	7
8. Accessory.....	8
9. Damping characteristic.....	9
10. Technical drawing	10
11. Test procedure.....	11
12. Materials.....	11

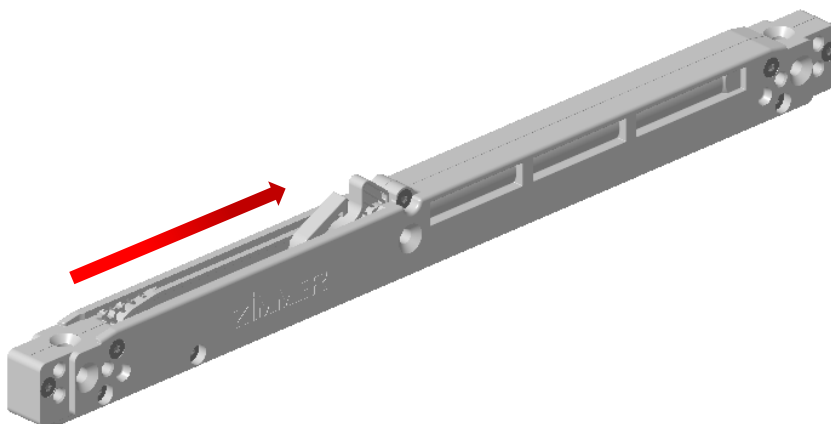
1. Content



2. Function

The self-closing system Silento Porta is an element of the fitting system in sliding doors, apothecary cabinet and more for braking the mass noiseless into the end position. Due to a very compact design this unit can be integrated into various rail systems.

The best advantage of this unit is the diversity of the connectivity options. Therefore this self-closing unit can be integrated “invisibly” to the rail and can be fixed in different installation positions, e.g. into the door.



3. Technical data

Housing length [mm]:	286
Housing width [mm]:	16,4
Housing height (total height) [mm]:	26,9 (31,6)
Distance fixing points [mm]:	256
Ø of fixing holes [mm]:	4,2 / M4
Stroke [mm]:	70
Weight to be braked [kg]:	15-120
Lifetime [cycles]:	100.000
Release:	possible
Operating conditions [°C]	+10 <-> +40
Storage conditions [°C]	-20 <-> +80

4. Characteristics

Closed unit	
Effective direction outside closing	
Effective direction inside closing	<input checked="" type="checkbox"/>
Fluid damper	<input checked="" type="checkbox"/>
Air-friction damper	
Damping effect one-way	<input checked="" type="checkbox"/>
Damping effect both-sided	
Different locking hooks possible	<input checked="" type="checkbox"/>
Emergency function	<input checked="" type="checkbox"/>

5. Integration

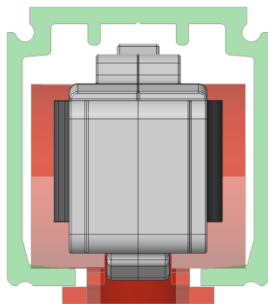
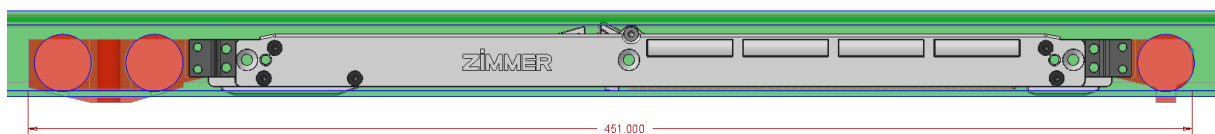
Main application:

Sliding door	<input checked="" type="checkbox"/>
Drawer	
Hinge	
Flap	

Single orientation of the fixing	<input checked="" type="checkbox"/>
Multiple orientation of the fixing possible	<input checked="" type="checkbox"/>
Fixing hole with lowering	<input checked="" type="checkbox"/>
Connection to running gear provided	<input checked="" type="checkbox"/>
Mounting on running rail possible	<input checked="" type="checkbox"/>
Retrofit	<input checked="" type="checkbox"/>

Do not use as end stop! Additional customer-side end stop necessary!

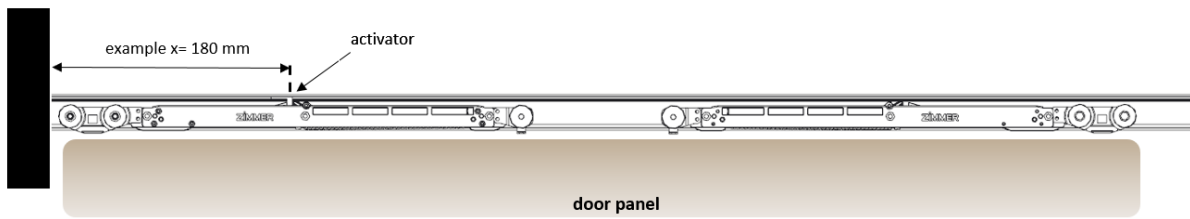
Possible integration:



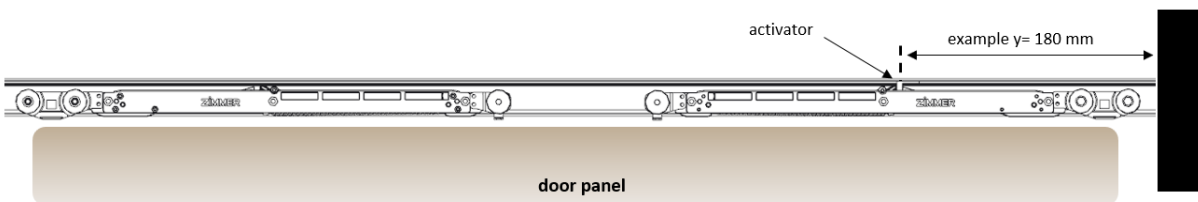
6. Positioning in a rail

The activator distance to the wall is equal

Activator in the left end position



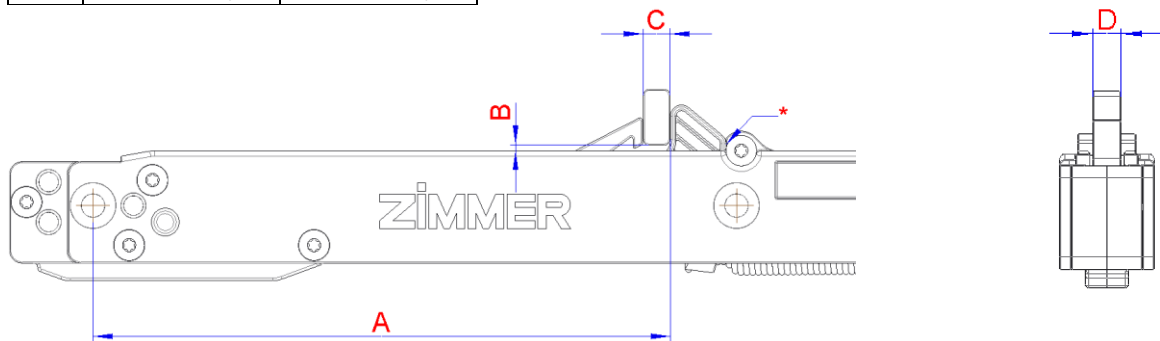
Activator in the right position



7. Overlap of locking hooks

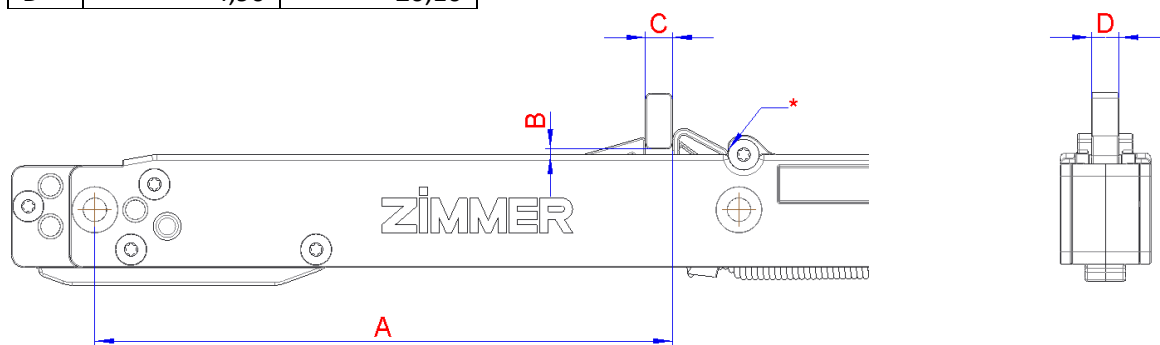
High locking hook (5-KUN00136 / 5-KUN00137)

	Nominal dimensions [Figures in mm]	Tolerance range [Figures in mm]
A	103,00	-1,00
B	1,00	+1,00 / -0,50
C	5,00	-0,20
D	4,90	±0,10



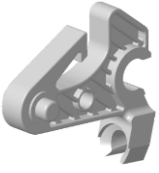
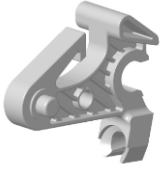
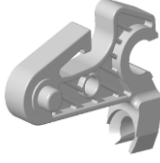
Low locking hook (5-KUN81217)

	Nominal dimensions [Figures in mm]	Tolerance range [Figures in mm]
A	103,00	-1,00
B	0,50	-2,00
C	5,00	-0,20
D	4,90	±0,10


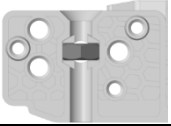
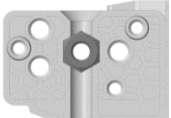


8. Accessory

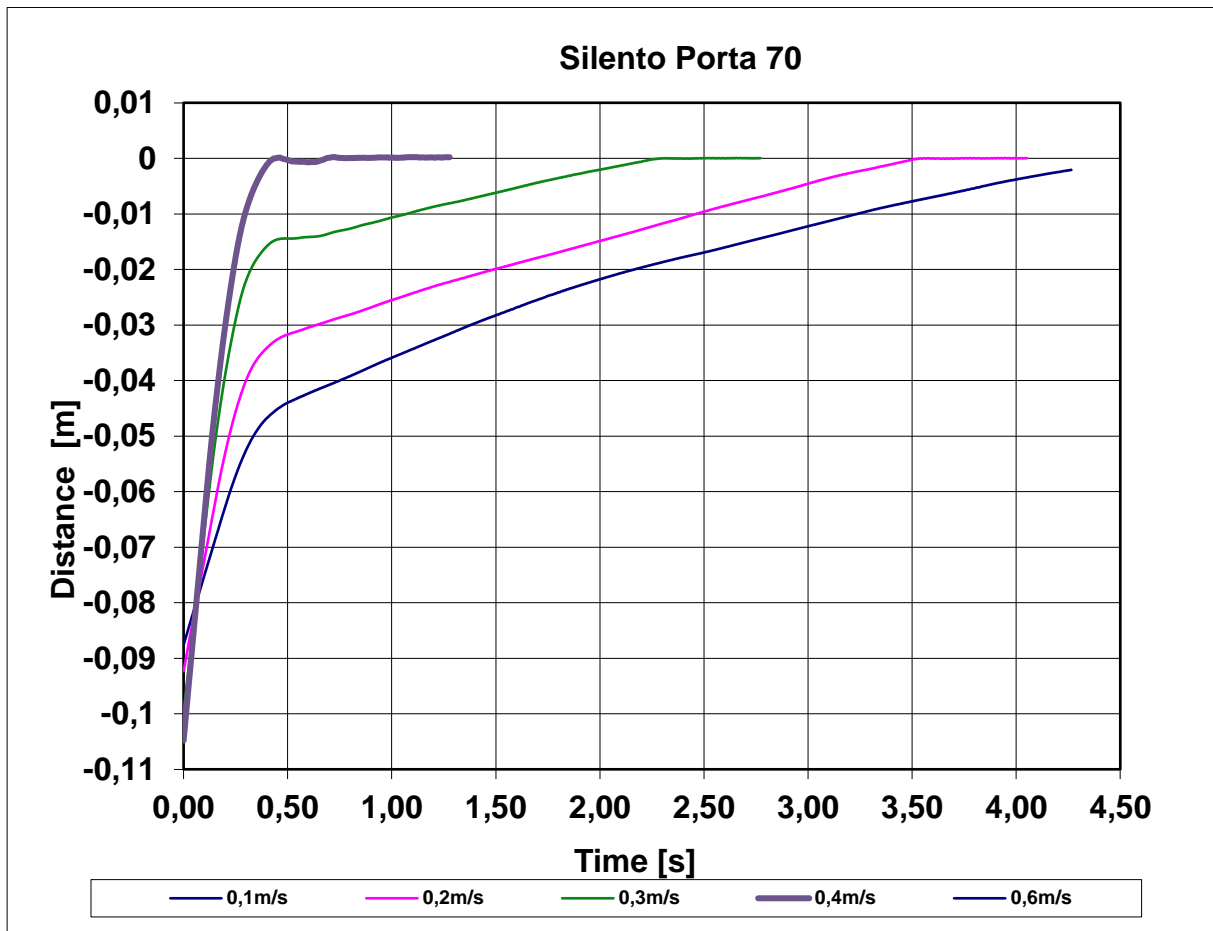
Locking hook

	Standard locking hook
	Locking hook with wider top allows greater coverage with activator
	Lower locking hook if space is tight

Connection

	Without threaded nut
	Vertical threaded nut
	Horizontal threaded nut

9. Damping characteristic



Spec. v[m/s]	v[m/s]	Wp.[mm]	Sz.[s]	Hs.[s]	Rb.[mm]	m[kg]
0,10	0,12	43,7	4,5	0,0	0,0	100,0 kg
0,20	0,20	31,7	3,5	0,0	0,0	100,0 kg
0,30	0,32	14,6	2,2	0,2	0,0	100,0 kg
0,40	0,40	0,0	0,4	0,0	0,0	100,0 kg

10. Technical drawing

Operating conditions: +10°C to +40°C
 Storage conditions: -20°C to +80°C
 Stroke: 70mm
 Max. mass to be braked: 30kg
 Do not use as end stop.

	general tolerances acc. to DIN ISO 2768 - m	drawing scale 1:1	drawing 54388mm ¹	weight 0.035kg	drawing 0.035kg
	name 12.12.17 CHUBET	drawing 13.06.18 BARSCHKE	drawing 12.12.17 CHUBET	drawing ROHTEIL	drawing 5412mm ¹
drawing 12.12.17 CHUBET	drawing 12.12.17 CHUBET	drawing 12.12.17 CHUBET	drawing ROHTEIL	drawing 5412mm ¹	drawing 0.035kg
ZIMMER ZIMMER Gmbh					
Self-closing return Silento Porta 70 ZIM2437					
E070-08-033_-					

11. Test procedure

Test	Requirements according to Zimmer	Requirements Zimmer met
Long-term test	100.000 cycles	✓
Over stress test	10 x 1 m/s	✓
Storage test	-20°C to 80°C	✓
Climate test	10°C to 40°C	✓

12. Materials

Selfclosing unit:

Housing:	PC/ABS
Hook:	POM
Spring:	EN10270-1-DH