

Product information

Retro 5

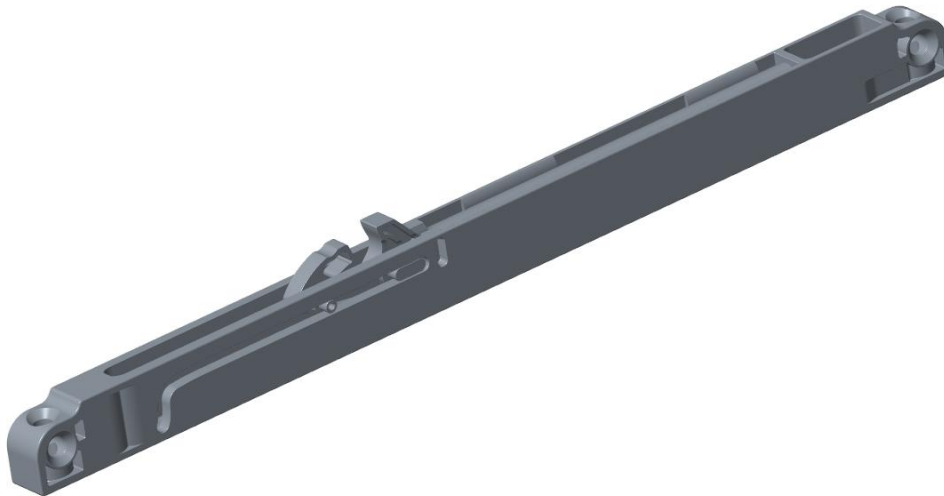
**THE
KNOW-
HOW
FACTORY**

ZIMMER GROUP

Am Glockenloch 2
77866 Rheinau
T +49 7844 9110-0
info@daempfungssysteme.de
www.zimmer-group.com
www.zimmer-softclose.shop

General data:

Type of product:	Self-closing unit with fluid damper
Origin :	Rheinau, Baden- Württemberg, Germany
Lifetime:	100.000 cycles
Installation option:	Sliding door Drawer

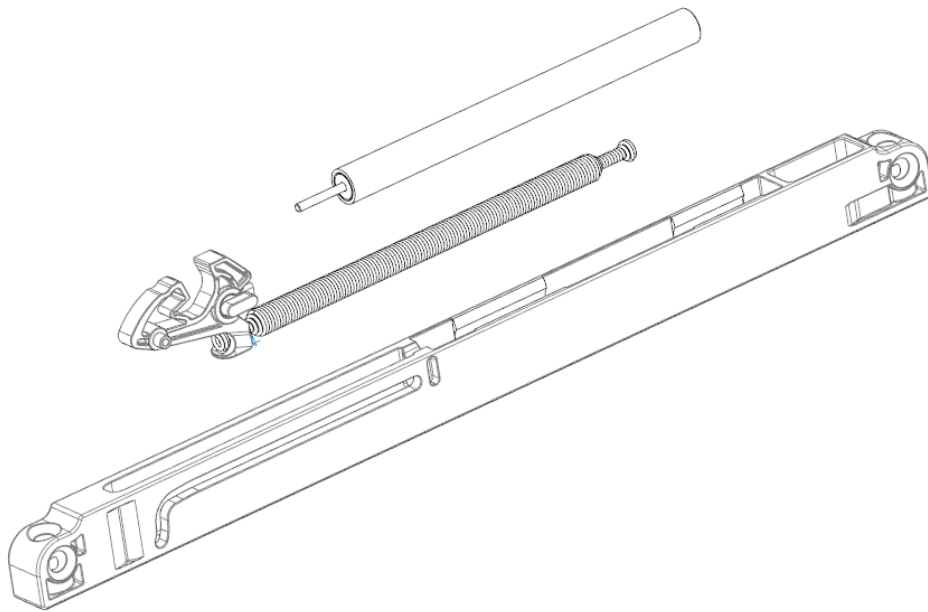


This unit offers a comfortable damping of different sliding doors and drawers. Due to a very compact design it can be integrated into various systems. User-friendly connection options make it particularly flexible and versatile.

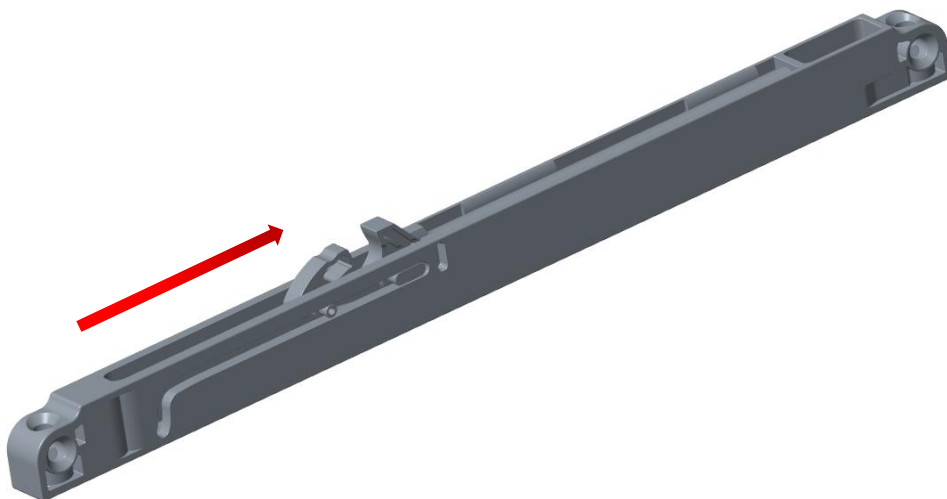
Index

- 1. Content.....3
- 2. Function.....3
- 3. Technical data4
- 4. Characteristics.....4
- 5. Integration5
- 6. Overlap of the locking hook.....6
- 7. Accessory.....7
- 8. Damping characteristic.....7
- 9. Technical drawing.....8
- 10. Test procedure.....9
- 11. Materials.....9

1. Content



2. Function



3. Technical data

Housing length [mm]:	237
Housing width [mm]:	10.4
Housing height (total height) [mm]:	17 (24.5)
Distance fixing points [mm]:	224
Ø of fixing holes [mm]:	4,2 / 4.6 / also from top 6.4
Stroke [mm]:	50
Weight to be braked [kg]:	up to 80
Lifetime [cycles]:	100.000
Release:	possible
Operating conditions [°C]	10 to 40
Storage conditions [°C]	-20 to 80

4. Characteristics

Closed unit	
Effective direction outside closing	
Effective direction inside closing	<input checked="" type="checkbox"/>
Fluid damper	<input checked="" type="checkbox"/>
Air-friction damper	
Damping effect one-way	<input checked="" type="checkbox"/>
Damping effect both-sided	
Different locking hooks possible	<input checked="" type="checkbox"/>
Emergency function	<input checked="" type="checkbox"/>

5. Integration

Sliding door	<input checked="" type="checkbox"/>
Drawer	<input checked="" type="checkbox"/>
Hinge	
Flap	

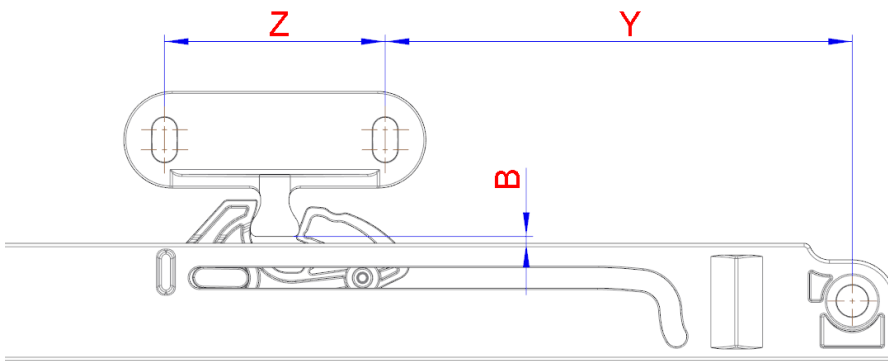
Multiple orientation of the fixing possible	<input checked="" type="checkbox"/>
Fixing hole with lowering	<input checked="" type="checkbox"/>
Connection to running gear provided	
Mounting on running rail possible	<input checked="" type="checkbox"/>
Retrofit	<input checked="" type="checkbox"/>
Threaded nut possible for the fixation	

Do not use as end stop! Additional customer-side end stop necessary!

6. Overlap of the locking hook

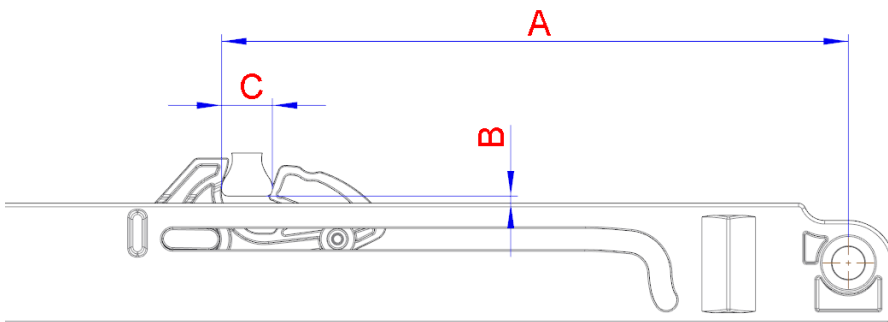
With Zimmer activator

	Nominal dimensions [Figures in mm]	Tolerance range [Figures in mm]
B	1,5	$\pm 0,5$
Y	68,0	-1,0
Z	32,0	$\pm 0,1$



Without Zimmer activator

	Nominal dimensions [Figures in mm]	Tolerance range [Figures in mm]
A	87,5	-1,0
B	1,5	$\pm 0,5$
C	7,0	$\pm 0,1$



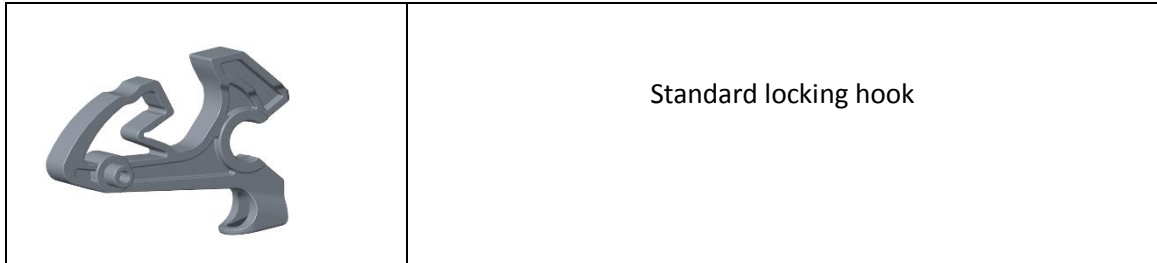
Note:

When using your own activator, make sure that the dimensions A / B / C are kept. The contour of the activator needs to be determined according to the arrangement with the company ZIMMER.

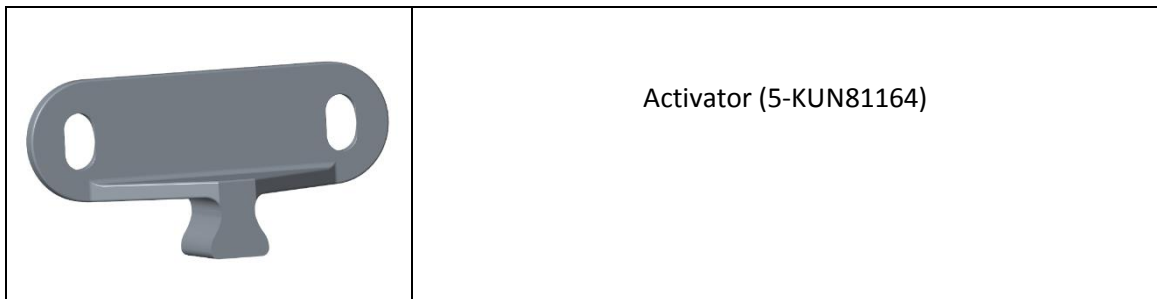
Actuator should have as little free space as possible in the locking hook!

7. Accessory

Locking hook

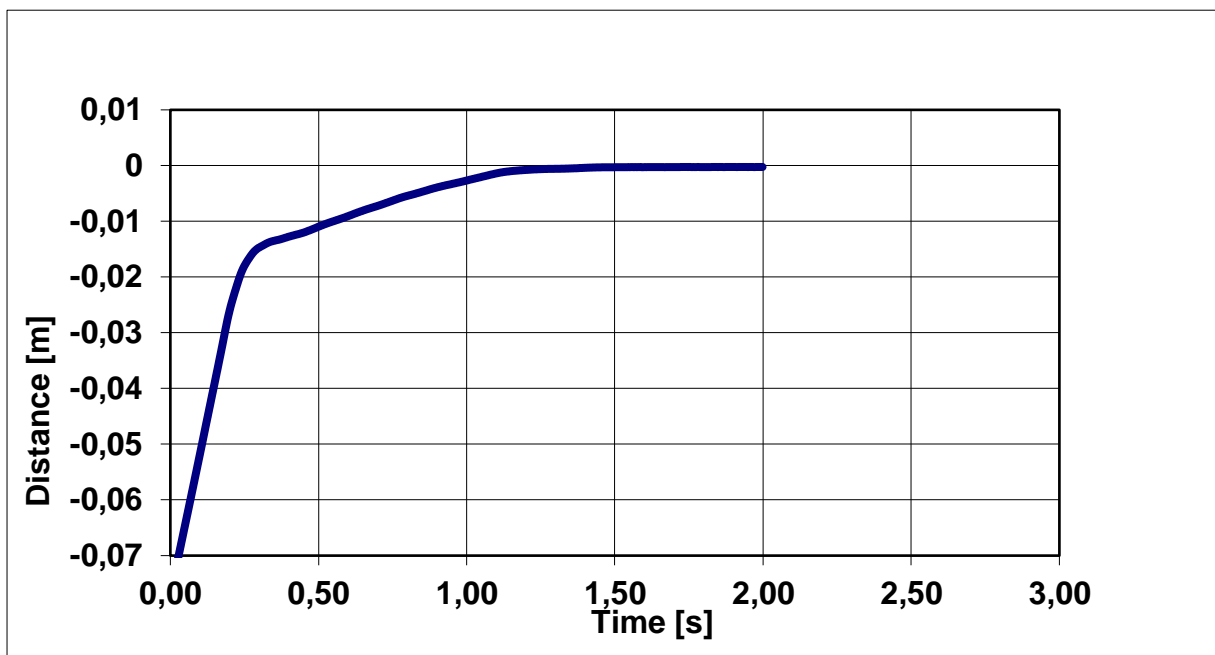


Activator



8. Damping characteristic

distance/time $\rightarrow V = \sim 0,25\text{m/s}$, weight 50 kg



10. Test procedure

Test	Requirements according to Zimmer	Requirements Zimmer met
Long-term test	100.000 cycles	✓
Over stress test	10 x 1 m/s	✓
Storage test	-20°C to 80°C	✓
Climate test	10°C to 40°C	✓

11. Materials

Selfclosing unit:

Housing:	Pa6 GF30
Hook:	Polyketon
Spring:	EN10270-1-DH