

Product information

Comodo

THE
KNOW-
HOW
FACTORY

ZIMMER GROUP

Am Glockenloch 2
77866 Rheinau
T +49 7844 9110-0
F +49 7844 9110-6199
info@daempfungssysteme.de
www.zimmer-group.com

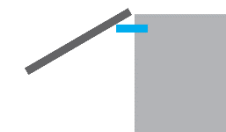
General data:

Type of product:

Origin : Rheinau, Baden- Württemberg, Germany

Lifetime: 5.000 cycles

Installation option:

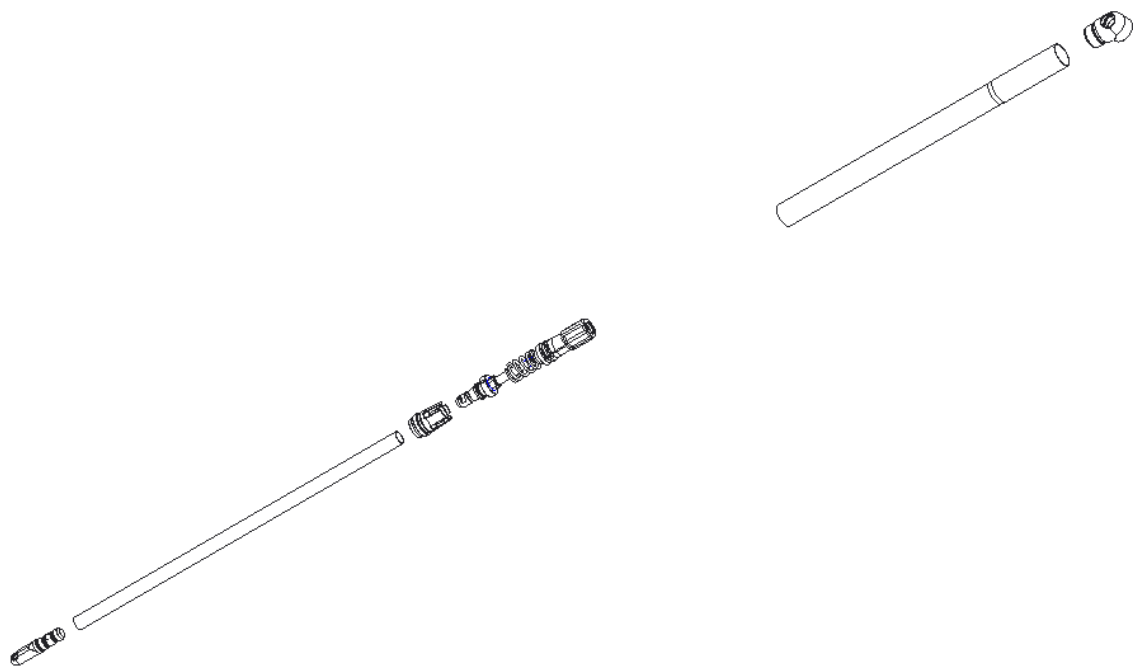


The Comodo is a window toggle catch for caravan and camper. With this product any position of the window is adjustable. The direction of operation can be changed in any position. Thus, for example, it is not necessary to open the window completely before closing it.

Index

1. Content	3
2. Function	4
3. Technical data	5
4. Characteristics	6
5. Integration	7
6. Technical drawing	8
7. Test procedure	9
8. Materials.....	9

1. Content



2. Function

- Open window (flap)
- Window can be opened at any position (continuously). Position is held.
- Window can be further opened at any position
- Direct closing possible in any position
- Freerun available to ensure closing
- As soon as it is fully extended, an additional latch is activated



3. Technical data

Housing length [mm]:	min. 144.6
Housing diameter [mm]:	15.4
Piston rod diameter [mm]:	7,2
Stroke [mm]:	min 40
Return spring	-
Maximum weight to be braked [kg]:	-
Lifetime [cycles]:	5.000
Release:	
Operating conditions [°C]	10 to 40
Storage conditions [°C]	-20 to 80

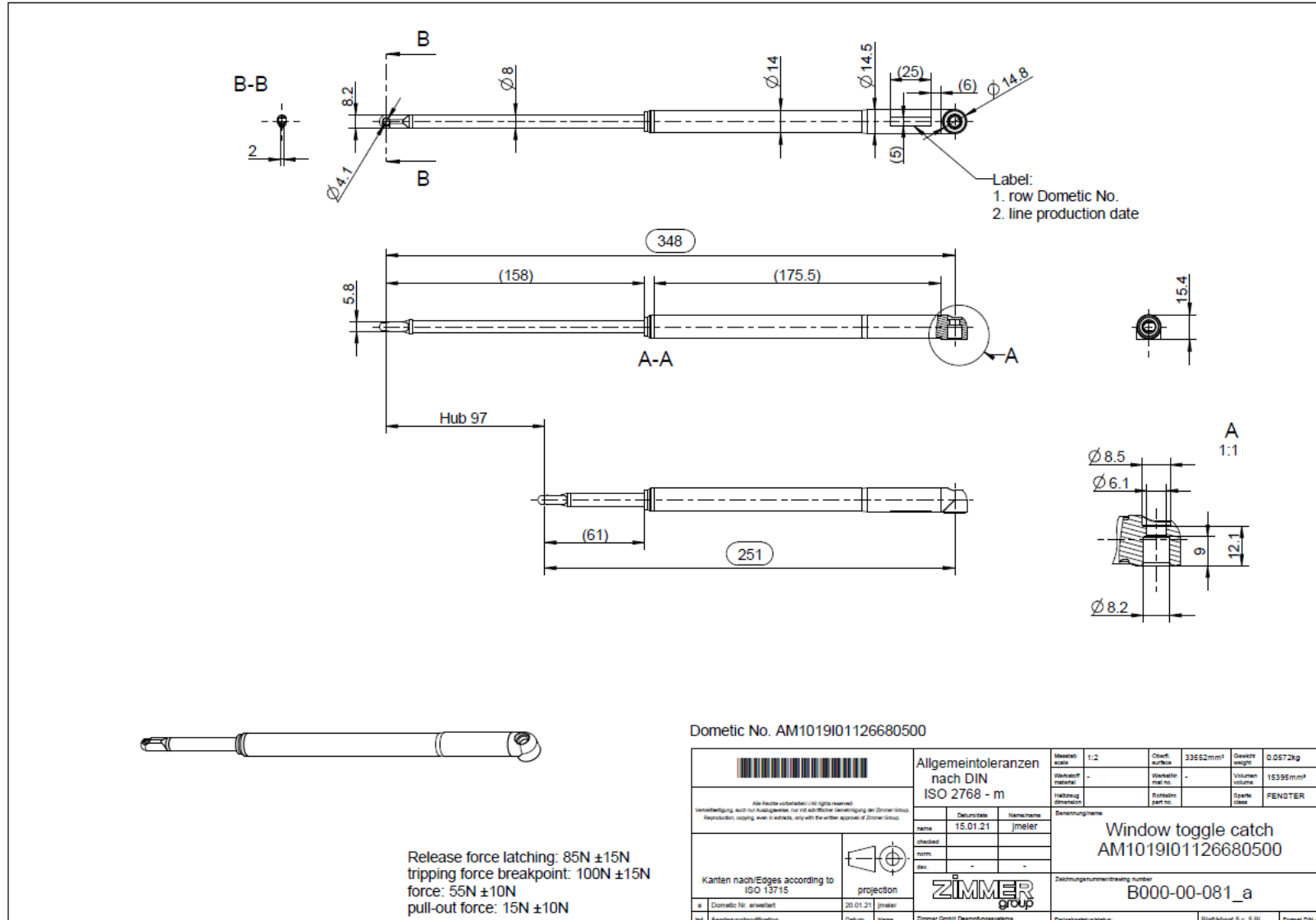
4. Characteristics

Closed unit	<input checked="" type="checkbox"/>
Effective direction outside closing	
Effective direction inside closing	
Fluid damper	
Air-friction damper	<input checked="" type="checkbox"/>
Damping effect one-way	
Damping effect both-sided	
Different locking hooks possible	
Emergency function	

5. Integration



6. Technical drawing



7. Test procedure

Test	Requirements according to Zimmer
Long-term test	5.000 cycles
Storage test	-20°C to 80°C
Climate test	10°C to 40°C

8. Materials

Selfclosing unit:

Housing:	Edelstahl
Spring:	EN10270-1-DH