

Product information

Silento Chiuso 70

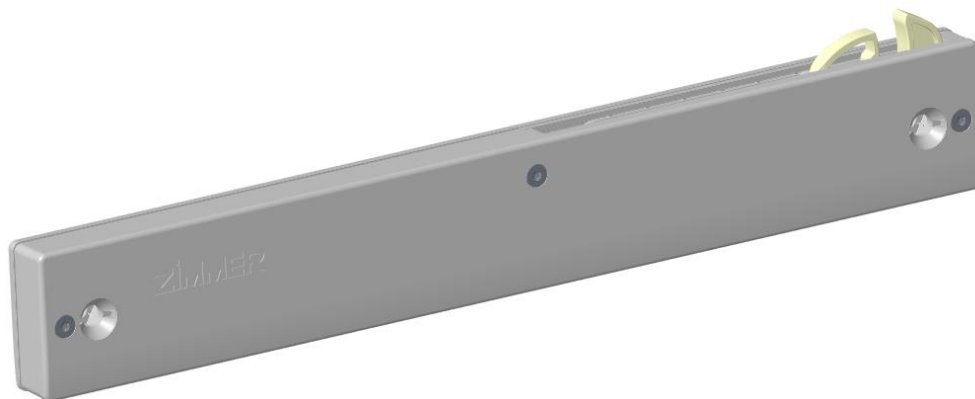
THE
KNOW-
HOW
FACTORY

ZIMMER GROUP

Am Glockenloch 2
77866 Rheinau
T +49 7844 9110-0
info@daempfungssysteme.de
www.zimmer-group.com
www.zimmer-softclose.shop

General data:

Type of product:	Self-closing unit with fluid damper
Origin:	Rheinau, Baden- Württemberg, Germany
Lifetime:	100.000 cycles
Installation option:	Sliding door Drawer



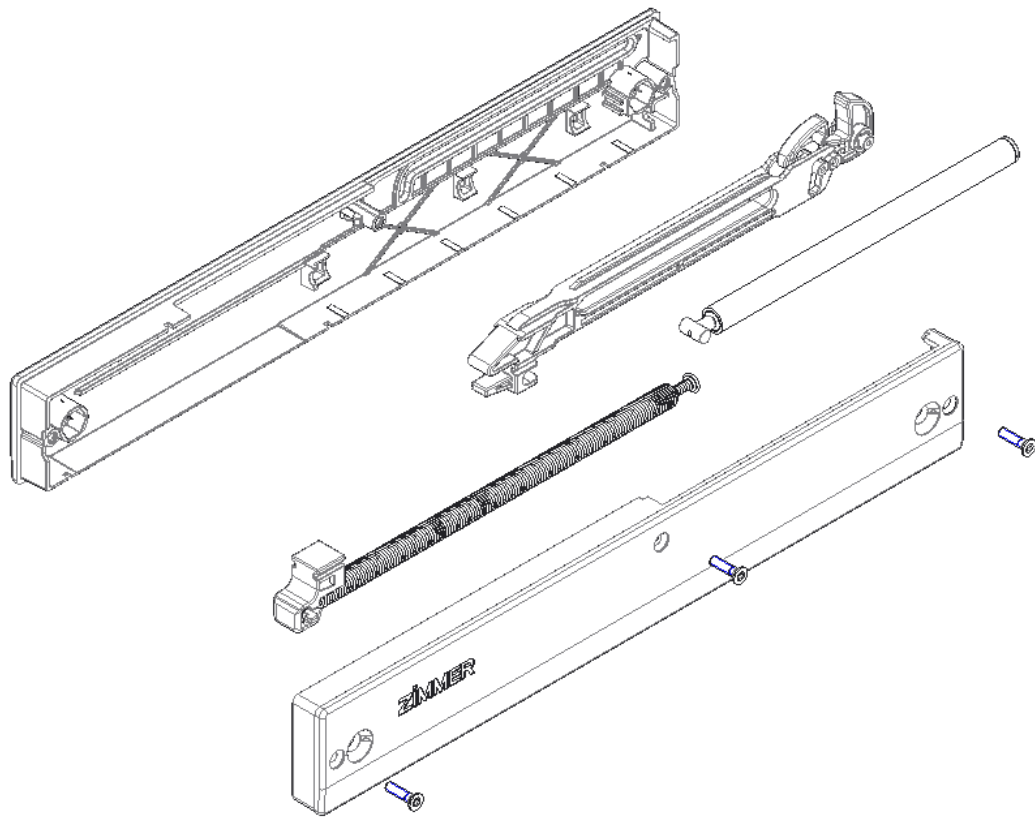
Customer-friendly, uncomplicated and extremely diverse.

The Silento Chiuso offers a smooth damping of sliding doors of a cabinet. User-friendly connection options complete the new ZIMMER product: Whether invisibly integrated into an existing track or mounted in various installation positions (flat, upright, right or left-hand locking).

Index

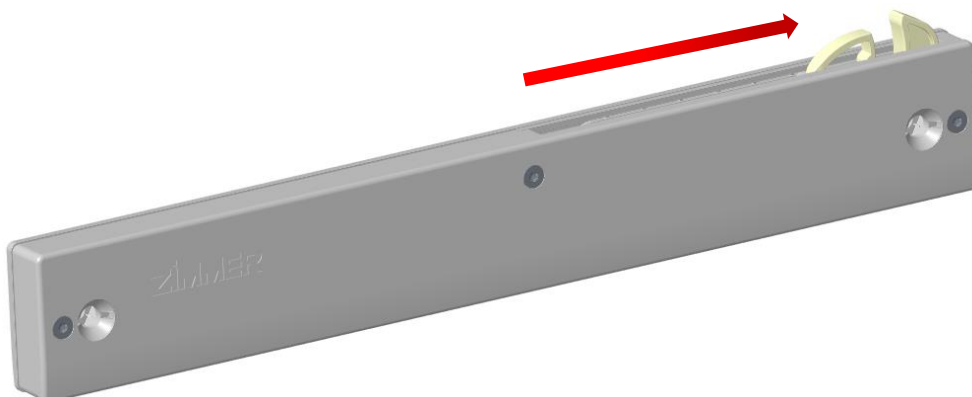
1. Content.....	3
2. Function.....	3
3. Technical data	4
4. Characteristics.....	4
5. Integration	5
6. Overlap of locking hooks	7
7. Fixing / special version	8
8. Damping characteristic.....	8
9. Technical drawing.....	9
10. Test procedure.....	10
11. Materials.....	10

1. Content



2. Function

The Silento Chiuso can be used in sliding doors and drawers for damping and independent retracting of the sliding door. To have a maximum opening dimension of the sliding door the function is external closing. Self-closing unit with standard fixing with screws (through bores with countersunk points). Special version with slot nut M5 possible. Possibility to use with different weight classes (the damper and the spring forces are adapted accordingly).



3. Technical data

Housing length [mm]:	254
Housing width [mm]:	15
Housing height (total height) [mm]:	36,3 (44,7)
Distance fixing points [mm]:	224
Ø of fixing holes [mm]:	5,5 / M5
Stroke [mm]:	70
Weight to be braked [kg]:	30-70
Lifetime [cycles]:	100.000
Release:	possible
Operating conditions [°C]	+10 <-> +40
Storage conditions [°C]	-20 <-> +80

4. Characteristics

Closed unit	<input checked="" type="checkbox"/>
Effective direction outside closing	<input checked="" type="checkbox"/>
Effective direction inside closing	
Fluid damper	<input checked="" type="checkbox"/>
Air-friction damper	
Damping effect one-way	<input checked="" type="checkbox"/>
Damping effect both-sided	
Different locking hooks possible	
Emergency function	<input checked="" type="checkbox"/>

5. Integration

Main application:

Sliding door	<input checked="" type="checkbox"/>
Drawer	
Hinge	
Flap	

Multiple orientation of the fixing possible	<input checked="" type="checkbox"/>
Fixing hole with lowering	<input checked="" type="checkbox"/>
Connection to running gear provided	
Mounting on running rail possible	<input checked="" type="checkbox"/>
Retrofit	<input checked="" type="checkbox"/>
Threaded nut possible for the fixation	<input checked="" type="checkbox"/>

Do not use as end stop! Additional customer-side end stop necessary!

Possible integration:



View from the front side: Horizontally installed into the sliding door cabinet (1)



View from the front side: Horizontally installed into the sliding door cabinet (2)



View from the front side: Pendently installed into the sliding door cabinet (1)

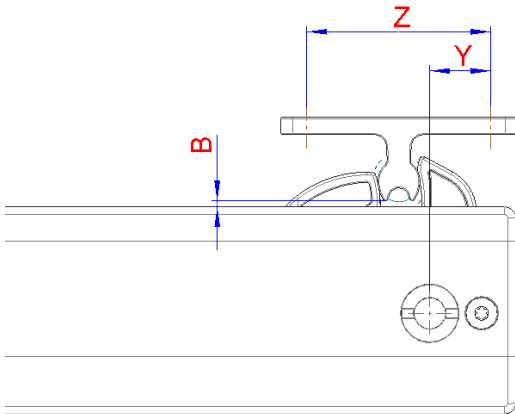


View from the front side: Pendently installed into the sliding door cabinet (2)

6. Overlap of locking hooks

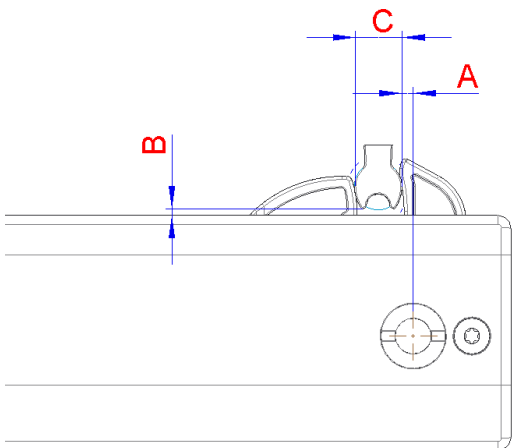
Self-closing unit with ZIMMER activator

	Nominal dimensions [Figures in mm]	Tolerance range [Figures in mm]
B	1,50	$\pm 0,50$
Y	9,50	-1,00
Z	32,00	$\pm 0,15$



Self-closing unit without ZIMMER activator

	Nominal dimensions [Figures in mm]	Tolerance range [Figures in mm]
A	2,50	+1,00
B	1,50	$\pm 0,50$
C	7,30	-0,20



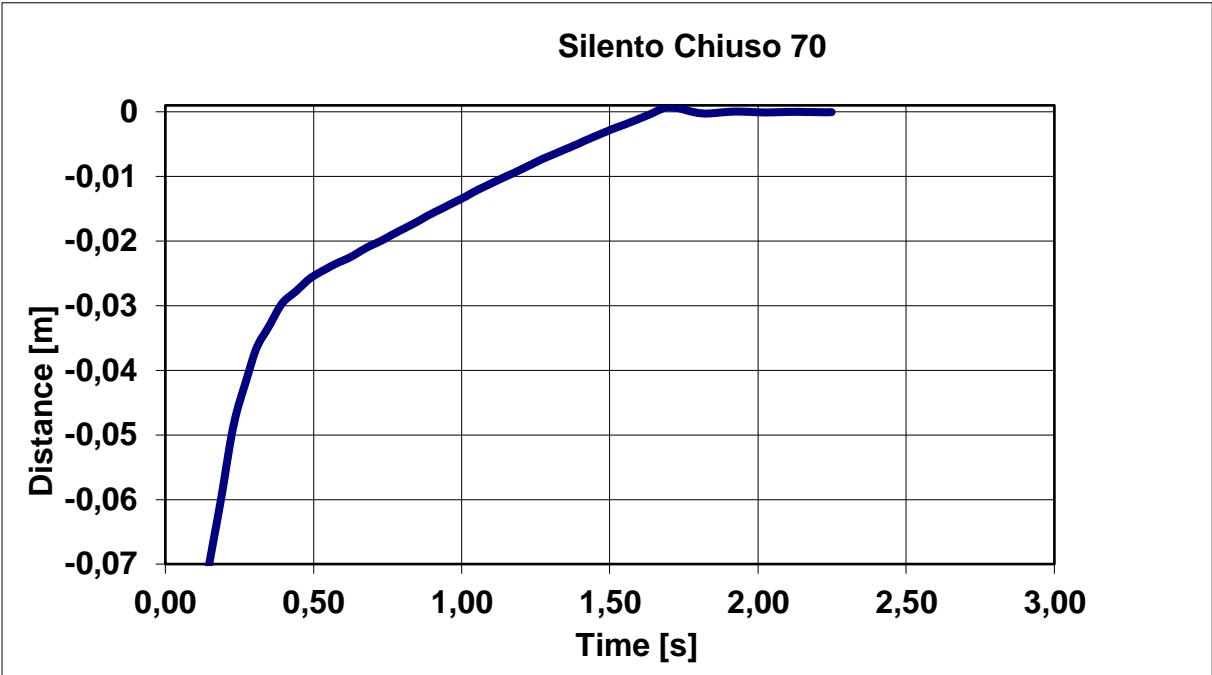
Note:

When using an own activator, please make sure that the dimensions A/B/C are kept. The shape of the activator needs to be cleared and confirmed with the company ZIMMER.

7. Fixing / special version



8. Damping characteristic



v ~ 0,25m/s

9. Technical drawing

Operating conditions: +10°C to +40°C
 Storage conditions: -20°C to +80°C
 Stroke: 70mm
 Max. weight to be braked: 30kg
 Do not use as end stop.
 spring value without friction!

general tolerances acc. to DIN ISO 2768 - m

Scale: 1:1
 Surface: S172mm²
 Weight: 1.491kg
 Material: -
 Mkt. No.: -
 Volume: 65322mm³
 Part No.: -
 Class: SEZFLB

Check: 15.12.15
 Date: 15.12.15
 Name: szcziMER
 Drawn: -
 Appr.: -
 Model: -
 Size: 240x110x10

Self-closing device
 Silento Chiuso 70
 ZIM1464

Drawing No. E070-08-007_c

Sheet 1 of 1

© ZIMMER Group
 ZIMMER Group
 ZIMMER Group

1:2

path (mm)
 time (s)

F(N)

F1 F2
 L1 L2

L1 = 156mm
 L2 = 225mm
 F1 = 12.6±0.6N
 F2 = 21±1N

10. Test procedure

Test	Requirements according to Zimmer	Requirements Zimmer met
Long-term test	100.000 cycles	✓
Over stress test	10x ~1m/s	✓
Storage test	-20°C to 80°C	✓
Climate test	10°C to 40°C	✓

11. Materials

Housing:	PC/ABS
Hook:	Polyketon
Spring:	EN10270-1-DH