

Product information

Silento Centrato

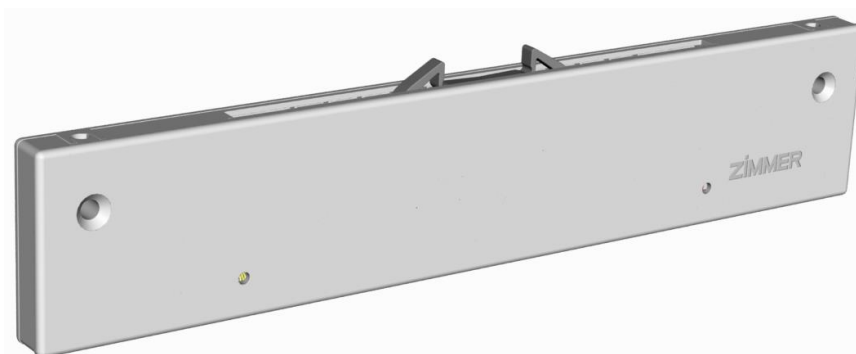
**THE
KNOW-
HOW
FACTORY**

ZIMMER GROUP

Am Glockenloch 2
77866 Rheinau
T +49 7844 9110-0
info@daempfungssysteme.de
www.zimmer-group.com
www.zimmer-softclose.shop

General data:

Type of product:	Self-closing unit with fluid damper
Origin:	Rheinau, Baden- Württemberg, Germany
Lifetime:	100.000 cycles
Installation option:	Sliding door Middle door



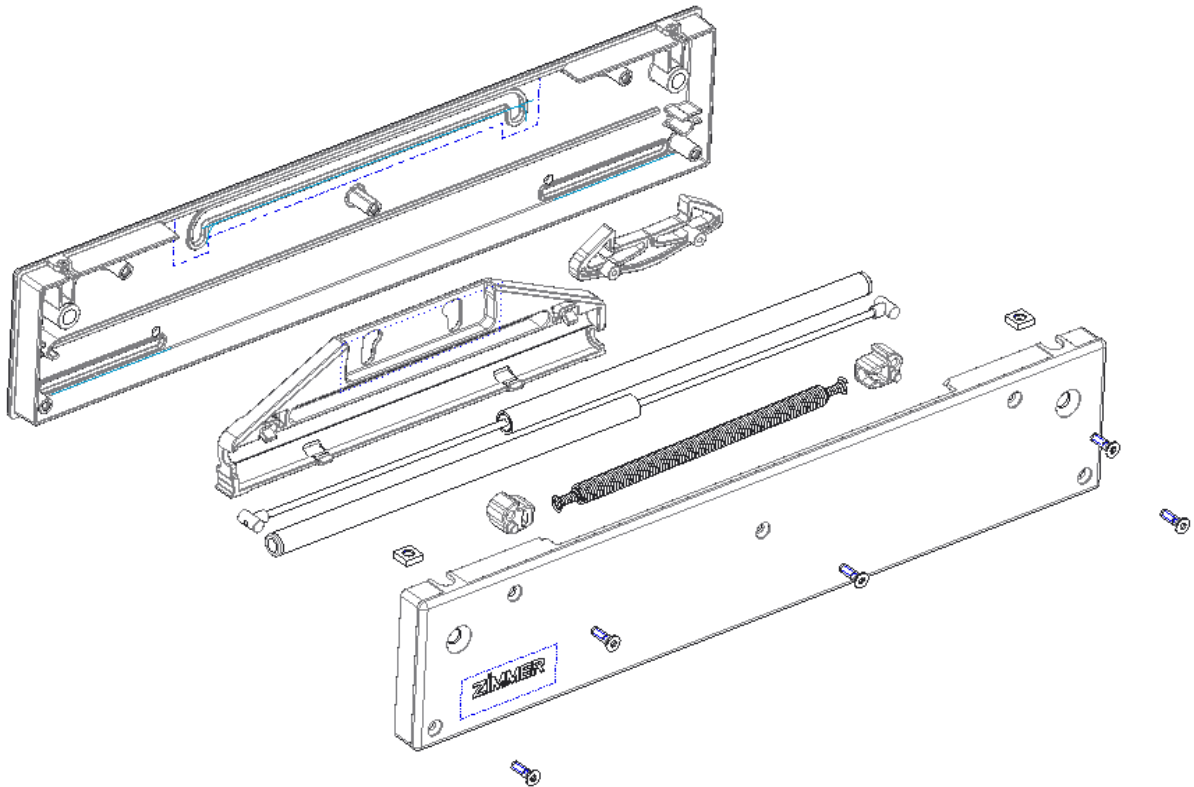
The middle door damping Silento Centrato is the solution for damping and centering of sliding doors with three doors.

The flexible installation options as well as the combination with the ZIMMER end position damping "Silento Chiuso" are providing a good and a satisfying closing view.

Index

1. Content.....	3
2. Function.....	3
3. Technical data	4
4. Characteristics.....	4
5. Integration	5
6. Overlap of locking hooks	6
7. Accessory.....	7
8. Damping characteristic.....	7
9. Technical drawing.....	8
10. Test procedure.....	9
11. Materials.....	9

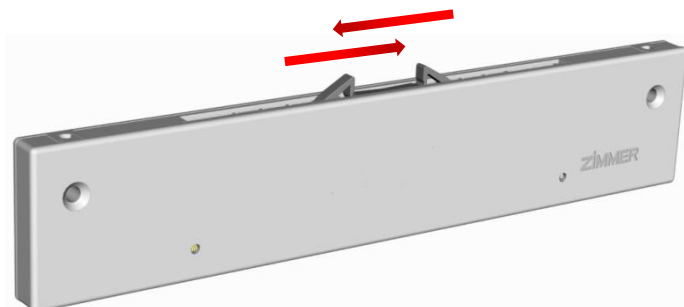
1. Content



2. Function

This mentioned unit is damping the middle sliding door in both directions. Additionally the door remains in the middle position.

By crossing the middle position you can easily push the door in both directions to its external end position.



3. Technical data

Housing length [mm]:	288
Housing width [mm]:	15
Housing height (total height) [mm]:	56,7 (63,3)
Distance fixing points [mm]:	256
Ø of fixing holes / (frontal fitting) [mm]:	5,5 /M4
Stroke [mm]:	50
Weight to be braked [kg]:	30-70
Lifetime [cycles]:	100.000
Release:	-
Operating conditions [°C]	+10 <-> +40
Storage conditions [°C]	-20 <-> +80

4. Characteristics

Closed unit	<input checked="" type="checkbox"/>
Effective direction outside closing	
Effective direction inside closing	<input checked="" type="checkbox"/>
Fluid damper	<input checked="" type="checkbox"/>
Air-friction damper	
Damping effect one-way	
Damping effect both-sided	<input checked="" type="checkbox"/>
Different locking hooks possible	
Emergency function	<input checked="" type="checkbox"/>

5. Integration

Main application:

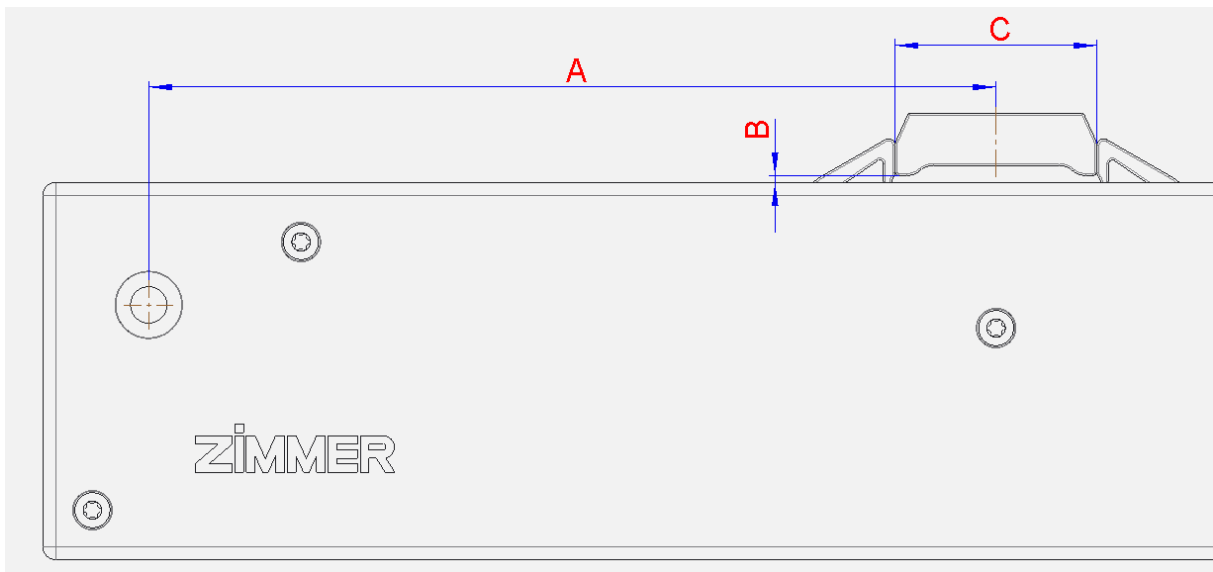
Sliding door	<input checked="" type="checkbox"/>
Drawer	<input type="checkbox"/>
Hinge	<input type="checkbox"/>
Flap	<input type="checkbox"/>

Multiple orientation of the fixing possible	<input checked="" type="checkbox"/>
Fixing hole with lowering	<input checked="" type="checkbox"/>
Connection to running gear provided	<input checked="" type="checkbox"/>
Mounting on running rail possible	<input checked="" type="checkbox"/>
Retrofit	<input checked="" type="checkbox"/>
Threaded nut possible for the fixation	<input checked="" type="checkbox"/>

6. Overlap of locking hooks

Self-closing without Zimmer activator


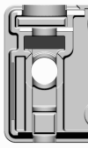
	Nominal dimensions (Figures in mm)	Tolerance range (Figures in mm)
A	128,00	$\pm 1,00$
B	1,50	$\pm 0,50$
C	30,40	-0,20



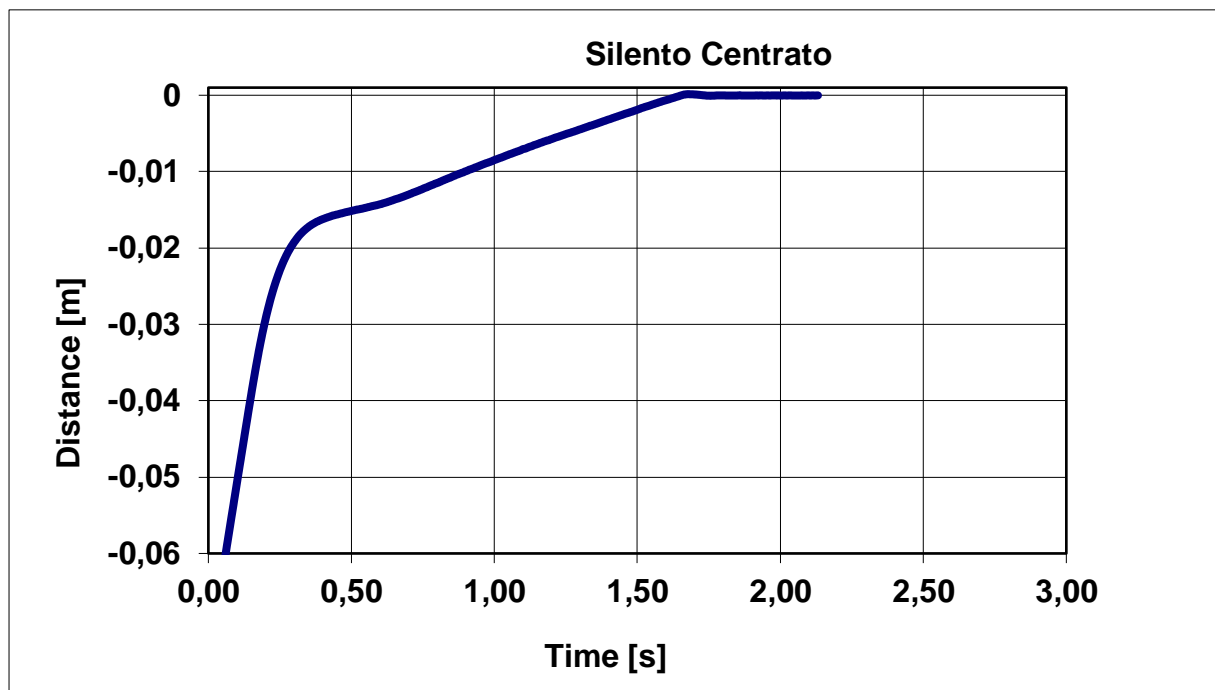
Note:

When using your own activator, make sure that the dimensions A / B / C are kept. The contour of the activator needs to be determined according to the arrangement with the company ZIMMER.

7. Accessory

	Without threaded nut
	Vertical threaded nut

8. Damping characteristic



$v \sim 0,25 \text{ m/s}$

9. Technical drawing

Operating conditions: +10°C to +40°C
 Storage conditions: -20°C to +80°C
 Stroke: 50mm
 Max. weight to be braked: 70kg
 Do not use as end stop.

Code: 3-4		Stroke: 145/25mm	Weight: 0.151kg
Material: -		Max. W: -	Volume: 11371.2mm³
Length: -		Stroke: -	Class: BE2FLB
Name: Silentzug Silento Centrato ZIM1496			
Drawing No: E050-08-109_a			
Sheet 5 of 5 SH			
Date: 25.04.17			
Checked: 31.07.17			
Author: -			
Issued: -			
All rights reserved! Reproduction, copying, or extracts only with the written approval of Zimmer Group.			
		Projection 28.07.17 (Zimmer)	
Zimmer Group Deutschland 40749 Datteln Tel. 02374 90-1111		Zimmer Group Deutschland 40749 Datteln Tel. 02374 90-1111	

10. Test procedure

Test	Requirements according to Zimmer	Requirements Zimmer met
Long-term test	100.000 cycles	✓
Over stress test	10x ~1m/s	✓
Storage test	-20°C to 80°C	✓
Climate test	10°C to 40°C	✓

11. Materials

Housing:	PC/ABS
Hook:	Polyketon
Spring:	EN10270-1-DH